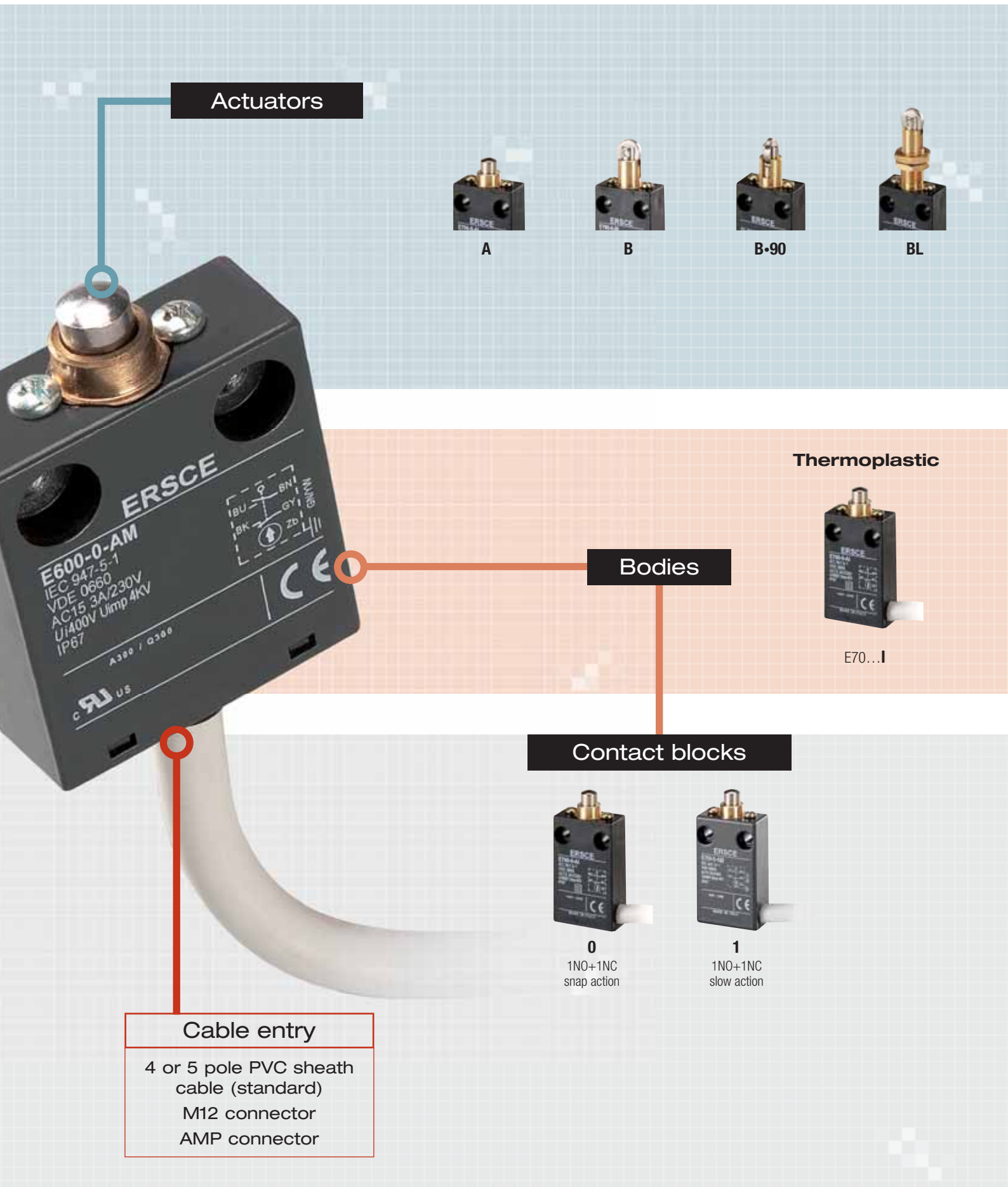




Pre wired limit
switches



Actuators



A



B



B-90



BL

Thermoplastic



E70...I

Bodies

Contact blocks



0
1NO+1NC
snap action



1
1NO+1NC
slow action

Cable entry

- 4 or 5 pole PVC sheath cable (standard)
- M12 connector
- AMP connector



BL-90



E

Metal

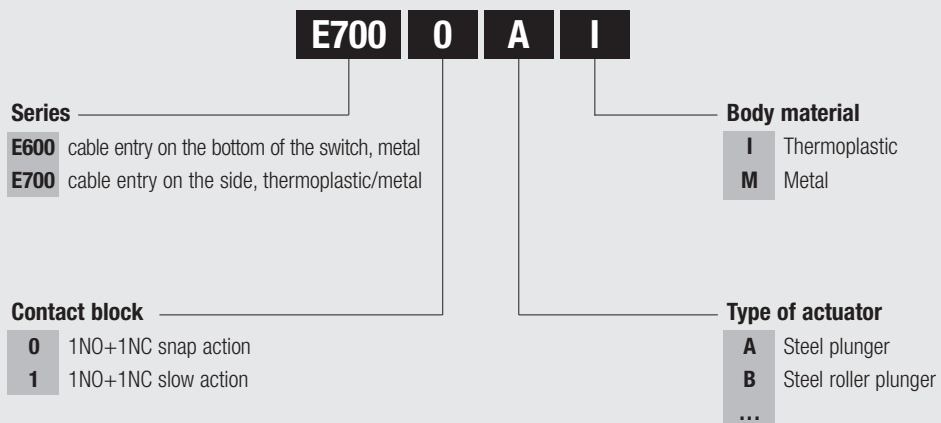


E70...M



E60...M

Part no. structure



Note: Please verify the effective availability of a product before ordering

General characteristics

The E700-E600 series pre-wired limit switches are suitable for use on machines where space is restricted and working environment is difficult. The product range includes the E600 and E700 series with thermoplastic or metal body.



- body material: thermoplastic/metal (E700) or metal (E600)
- IP67
- contact blocks with positive opening of the NC contact according to IEC EN 60947-5-1 e VD 0660-200

Overturning levers

All the levers can be fastened on switches on straight or reverse side, to obtain two different work plans of the lever.

Technical information

Insulation resistance		500 V DC	mΩ	100
Dielectric strength		50/60 Hz per 1' *	V AC	2500
Rated insulation voltage	Ui	IEC947-5-1	V AC	500
Rated thermal current	I _{the}	IEC947-5-1	A	10
Rated operating current		IEC947-5-1/EN60947-5-1		
Category AC15 A300	le	24 V	A	6
		125 V	A	5
		230 V	A	3
		400 V	A	1,8
Category DC13 Q300	le	24 V	A	3
		48 V	A	1,5
		120 V	A	0,55
		250 V	A	0,27
Contact resistance (without cable)	IEC255-7 cat.3	initial value	mΩ	25
Short circuit protective devices	IEC269 (IEC947-5-1)	gl or gG type fuse	A	6
Rated conditionals short circuit current	IEC947-5-1		A	1000
Pollution degree	IEC947-5-1			3
Protection degree	EN 60529			IP67
Protection against electric shock		plastic	class	II
		metal	class	I
Vibration resistance	IEC68-2-6		mm	0,35 ± 15% (10 ÷ 55 Hz ± 1 Hz)
Shock resistance	IEC68-2-27	11 ms	g	30
Mechanical life			cycles	10.000.000
Electrical life		a 250 V AC 3A with resistance load cosφ=1	cycles	500.000
		a 250 V AC 3A with inductive load cosφ=0,4	cycles	500.000
Distance between contacts		snap action type	mm	2x2
		low action type	mm	2x1,25
Cable		model/section	mm ²	V4 o 5F - 4 o 5x0,75 (19 AWG)
		colors		brown-blue(NO); black -grey(NC); yellow/green(GND)
		sheath color		Grey RAL 7035
		length **	m	2
		translation speed	m/min	60
		operating voltage	V	300/500
Air ambient temperature	operational		°C	-35 ÷ +85 (without formation of ice)

* between terminals of the same polarity; between terminals with different polarity; between live mechanical parts and ground;
between live mechanical parts and non-current-carrying metal parts

Approvals



IEC EN 60947

E600



+

E700



+

- UL approval file E72861

● Approved

+ Conforms to requirements



E600 series

- Metal body
- Cable entry on the bottom of the switch
- Cable with PVC sheath (other cable types or connectors are on request)
- Cable length 2 m (other lengths on request)



E700 series

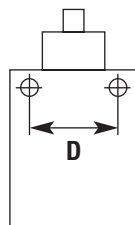
- Thermoplastic or metal body
- Cable entry on the side of the switch
- Cable with PVC sheath (other cable types or connectors are on request)
- Cable length 2 m (other lengths on request)

In conformity with standards:

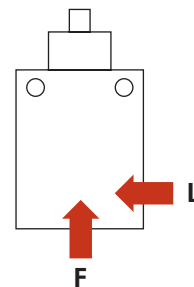
IEC EN 60947-5-1 • EN 60947-1 • UNI EN 1088 • EN ISO 12100-1
EN ISO 12100-2 • IEC 529 • EN 60529 • VDE 0660-200 • VDE 0113



Cable entry/connector



Fixing	D
E600	25 mm
E700	20 mm

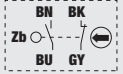
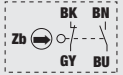


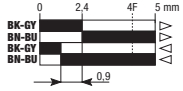

Thread	Series part no.	
PVC sheath cable according to CEI 20-22	E600...	E700...
M12 connector (on request)	E601...	E701...
AMP connector (on request)	E602...	E702...

	F	L
E600	•	
E700		•

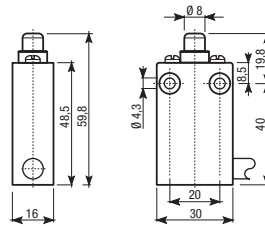


Steel plunger

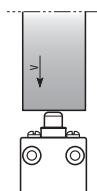
Contact block	
1NO+1NC snap action 	0
1NO+1NC slow action 	1
Weight	kg
Pack	pcs
Cable length	m

Thermoplastic	Metal	Contact travel
E7000AI	E7000AM	
E7001AI	E7001AM	
0,288	0,327	
	1	
	2	

standard article article on request



Drive cam operating parameters



V max (m/s) 0,5



Steel roller plunger

B



Steel roller plunger turned 90°

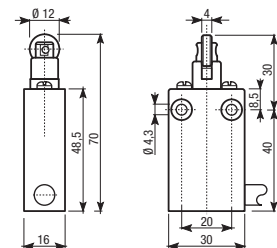
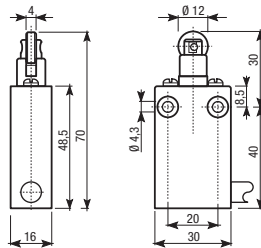
B•90

Contact block	
1NO+1NC snap action 	0
1NO+1NC slow action 	1
Weight	kg
Pack	pcs
Cable length	m

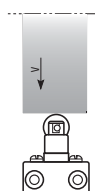
Thermoplastic	Metal	Contact travel
E7000BI	E7000BM	
E7001BI	E7001BM	
0,296	0,331	
	1	
	2	

Thermoplastic	Metal	Contact travel
E7000BI90	E7000BM90	
E7001BI90	E7001BM90	
0,296	0,331	
	1	
	2	

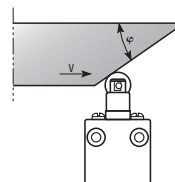
standard article article on request



Drive cam operating parameters



V max (m/s) 0,5



φ	V max (m/s)
20°	0,3
30°	0,1

Min. force (N)	
for tripping	8
for positive opening	18



BL

Steel roller plunger, vertical actuation



BL•90

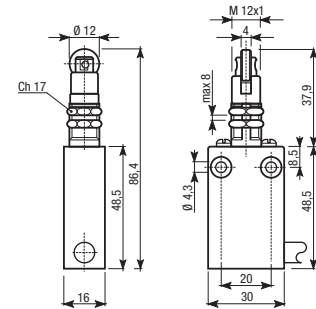
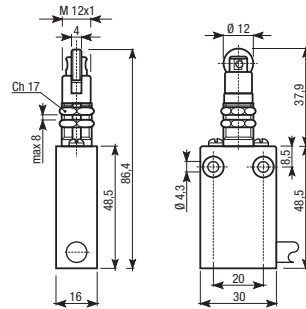
Steel roller plunger turned 90°

Contact block	
1NO+1NC snap action	0
1NO+1NC slow action	1
Weight	kg
Pack	pcs
Cable length	m

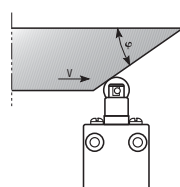
Thermoplastic	Metal	Contact travel
E7000BLI	E7000BLM	
E7001BLI	E7001BLM	
0,306	0,348	
	1	
	2	

Thermoplastic	Metal	Contact travel
E7000BLI90	E7000BLM90	
E7001BLI90	E7001BLM90	
0,306	0,348	
	1	
	2	

standard article article on request



Drive cam operating parameters



φ	V max (m/s)
20°	0,3
30°	0,1

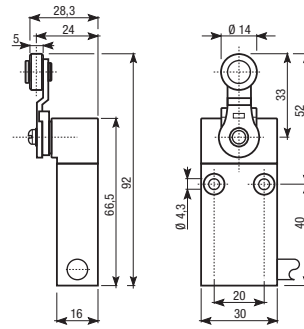
Min. force (N)	
for tripping	8
for positive opening	18



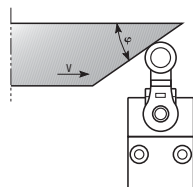
Thermoplastic roller lever

Contact block		Thermoplastic	Metal	Contact travel
1NO+1NC snap action		E7000EI	E7000EM	
1NO+1NC slow action				E7001EI
Weight	kg	0,342	0,381	
Pack	pcs	1		
Cable length	m	2		

standard article article on request



Drive cam operating parameters



φ	V max (m/s)
30°	1,5
45°	1
60°	0,75
60-90°	0,25

Min. force (cNm)	
for tripping	4
for positive opening	8

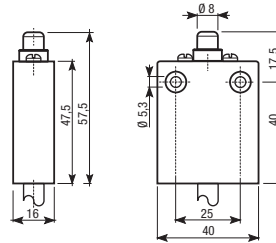


Steel plunger

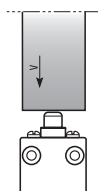
Contact block	
1NO+1NC snap action 	0
1NO+1NC slow action 	1
Weight	kg
Pack	pcs
Cable length	m

Metal	Contact travel
E6000AM	
E6001AM	
0,350	
1	
2	

standard article article on request



Drive cam operating parameters



V max (m/s) 0,5

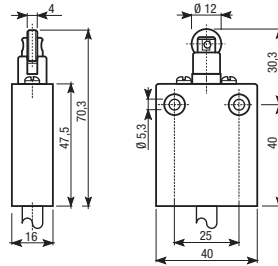


Steel roller plunger

Contact block	
1NO+1NC snap action 	0
1NO+1NC slow action 	1
Weight	kg
Pack	pcs
Cable length	m

Metal	Contact travel
E6000BM	
E6001BM	
0,361	
1	
2	

standard article article on request



Drive cam operating parameters							
	<table border="1"> <tr> <td>φ</td> <td>V max (m/s)</td> </tr> <tr> <td>20°</td> <td>0,3</td> </tr> <tr> <td>30°</td> <td>0,1</td> </tr> </table>	φ	V max (m/s)	20°	0,3	30°	0,1
φ	V max (m/s)						
20°	0,3						
30°	0,1						
	<table border="1"> <tr> <td>Min. force (N)</td> <td></td> </tr> <tr> <td>for tripping</td> <td>8</td> </tr> <tr> <td>for positive opening</td> <td>18</td> </tr> </table>	Min. force (N)		for tripping	8	for positive opening	18
Min. force (N)							
for tripping	8						
for positive opening	18						

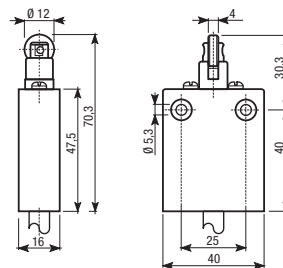


Steel roller plunger turned 90°

Contact block	
1NO+1NC snap action 	0
1NO+1NC slow action 	1
Weight	kg
Pack	pcs
Cable length	m

Metal	Contact travel
E6000BM90	
E6001BM90	
0,361	
1	
2	

standard article article on request



Drive cam operating parameters	
	V_{max} (m/s) 0,5
	φ V_{max} (m/s) 20° 0,3 30° 0,1
	Min. force (N) for tripping 8 for positive opening 18

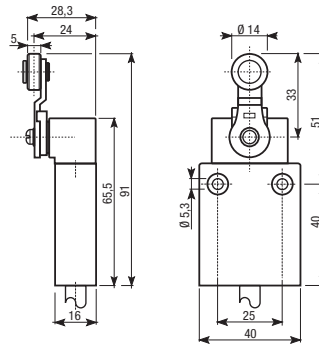


Thermoplastic roller lever

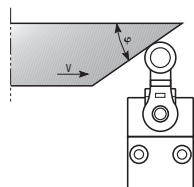
Contact block	
1NO+1NC snap action 	0
1NO+1NC slow action 	1
Weight	kg
Pack	pcs
Cable length	m

Metal	Contact travel
E6000EM	
E6001EM	
0,408	
1	
2	

standard article article on request



Drive cam operating parameters



φ	V max (m/s)
30°	1,5
45°	1
60°	0,75
60-90°	0,25

Min. force (cNm)	
for tripping	4
for positive opening	8