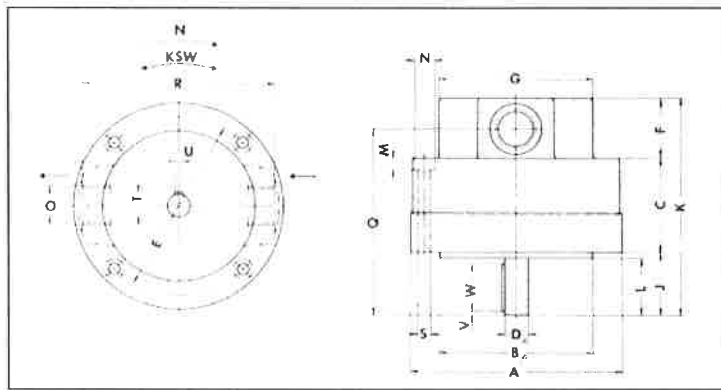
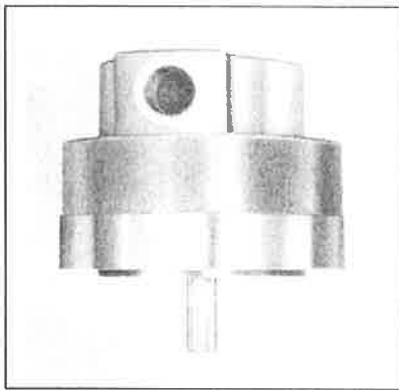


Special models with reduced flow:

- 1..... 5 dm³/min: pump size 0
- 9.....14 dm³/min: pump size 1
- 18.....22 dm³/min: pump size 2
- 30.....45 dm³/min: pump size 3
- 55.....90 dm³/min: pump size 4

3. Flange pumps model "V", type N and KSW

- **type N:** for fixed direction of rotation
- **type KSW:** for changing direction of rotation with constant direction of flow, without reversing valve
- **installation:** vertically mounted pump, shaft "downward", and horizontal
- **suction height:** 2 m t 1500 rpm (depending upon number of revolutions and oil viscosity)



Pict. 6 - flange pump model "V"

Dimensions table

Size	A	B _{ie}	C	D _{ie}	E	F	G	J	K	L	M	N	O	Q	R	S	T	U	V	W
0	100	60	45	12	83	27	70	28	100	25	6	10,5	R ¼"	86	89	6,5	13,5	4	2	20
1	110	80	50	12	95	32	80	33	115	30	6	10,5	R ½"	99	101	6,5	13,5	4	2	25
2	110	80	54	12	95	43	80	33	130	30	6	10,5	R ¾"	107	100	6,5	13,5	4	2	25
3	140	100	74	15	120	50	100	38	162	35	8	13,5	R 1"	134	126	8,5	17	5	4	25

Remark: with special bearings for 10 bar, dimension K is cover side ca. 10 mm longer

Performance table: suction height 0,75 m, oil ISOVG32 (cSt 40°C), T_{amb} 20 °C

Size	Suction pipe	Speed (rpm)	Flow normal (dm ³ /min)	Power req. (Kw)		Weight (Kg)	Max speed (rpm)		Code number			
				3 bar	10 bar		3 bar	10 bar	3 bar		10 bar	
									N	KSW	N	KSW
0	R ¼"	1500	6	0,25	0,37	2,2	2000	3000	9041/440	9041/450	9041/122	9041/127
1	R ½"	1500	15	0,37	0,55	3,5	2000	3000	9041/441	9041/451	9041/123	9041/128
2	R ¾"	1500	24	0,55	0,75	3,8	2000	3000	9041/442	9041/452	9041/124	9041/129
3	R 1"	1500	50	1,10	1,50	8,2	1800	1800	9041/443	9041/453	9041/125	9041/130

Special models with reduced flow:

- 1..... 5 dm³/min: pump size 0
- 9.....14 dm³/min: pump size 1
- 18.....22 dm³/min: pump size 2
- 30.....45 dm³/min: pump size 3

Performance table: suction height 0,75 m, oil ISOVG32 (cSt 40°C), T_{amb} 20 °C

Size	Suction pipe	Speed (rpm)	Flow normal (dm ³ /min)	Power req. (Kw)		Weight (Kg)	Max speed (rpm)		Code number			
				3 bar	10 bar		3 bar	10 bar	3 bar		10 bar	
									N	KSW	N	KSW
0	R 1/4"	1500	6	0,25	0,37	2,2	2000	3000	9041/400	9041/410	9041/050	9041/055
1	R 1/2"	1500	15	0,37	0,55	2,5	2000	3000	9041/401	9041/411	9041/051	9041/056
2	R 3/4"	1500	24	0,55	0,75	2,8	2000	3000	9041/402	9041/412	9041/052	9041/057
3	R 1"	1500	50	1,10	1,50	6,3	1800	1800	9041/403	9041/413	9041/053	9041/058

Special models with reduced flow:

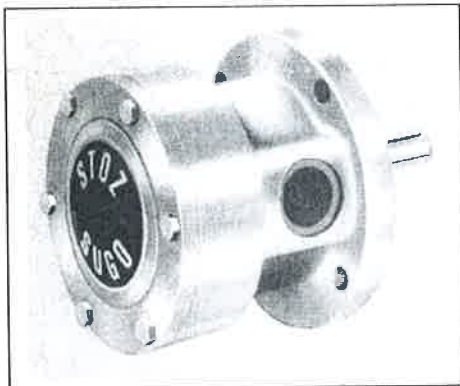
- 1..... 5 dm³/min: pump size 0
- 9.....14 dm³/min: pump size 1
- 18.....22 dm³/min: pump size 2
- 30.....45 dm³/min: pump size 3

P210

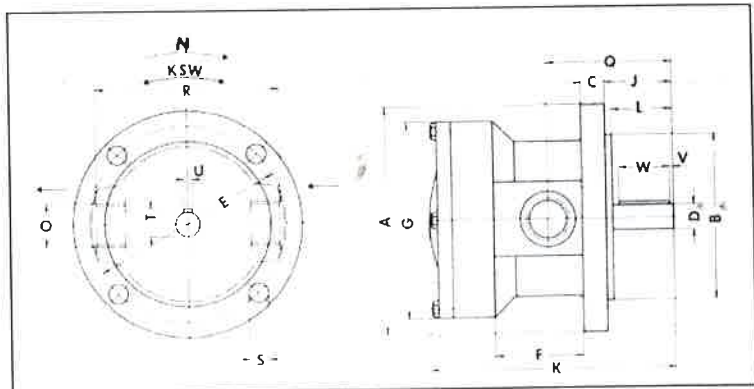
2. Flange pumps type N and KSW

(Onion LLC)

- **type N:** for fixed direction of rotation
- **type KSW:** for changing direction of rotation with constant direction of flow, without reversing valve
- **installation:** horizontally and vertically mounted pump, shaft "upward"
- **suction height:** 2 m t 1500 rpm (depending upon number of revolutions and oil viscosity)



Pict. 5 - flange pump



Dimensions table

Size	A	B ₁₆	C	D ₁₆	E	F	G	J	K	L	O	Q	R	S	T	U	V	W
0	100	60	10	12	83	29	79	28	94	25	R 1/4"	50	73	6,5	13,5	4	2	20
1	110	80	11	12	95	43	96	33	119	30	R 1/2"	62	88	9,5	13,5	4	2	25
2	110	80	11	12	95	45	96	33	131	30	R 3/4"	67	87	9,5	13,5	4	2	25
3	140	100	12	15	120	70	117	38	171	35	R 1"	93	108	10,5	17	5	4	25
4	160	120	12	20	140	-	120	38	209	35	R1 1/4"	125	109	10,5	22,5	6	4	25

Remark: with special bearings for 10 bar, dimension K is cover side ca. 10 mm longer

Performance table: suction height 0,75 m, oil ISOVG32 (cSt 40°C), T_{amb} 20 °C

Size	Suction pipe	Speed (rpm)	Flow normal (dm ³ /min)	Power req. (Kw)		Weight (Kg)	Max speed (rpm)		Code number			
				3 bar	10 bar		3 bar	10 bar	3 bar		10 bar	
									N	KSW	N	KSW
0	R 1/4"	1500	6	0,25	0,37	2,2	2000	3000	9041/420	9041/430	9041/110	9041/116
1	R 1/2"	1500	15	0,37	0,55	3,5	2000	3000	9041/421	9041/431	9041/111	9041/117
2	R 3/4"	1500	24	0,55	0,75	3,8	2000	3000	9041/422	9041/432	9041/112	9041/118
3	R 1"	1500	50	1,10	1,50	8,2	1800	1800	9041/423	9041/433	9041/113	9041/119
4	R1 1/4"	1500	100	2,2	-	11,0	1800	1800	9041/424	9041/434	9041/114	9041/120