

# Technical Data

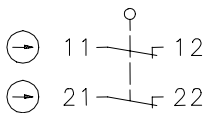
## Plastic bodied limit switch

### Series BI2

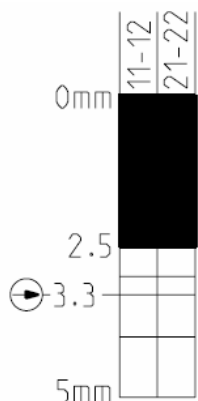
Description **ASI BI2 w D**

Article number **6073201051**

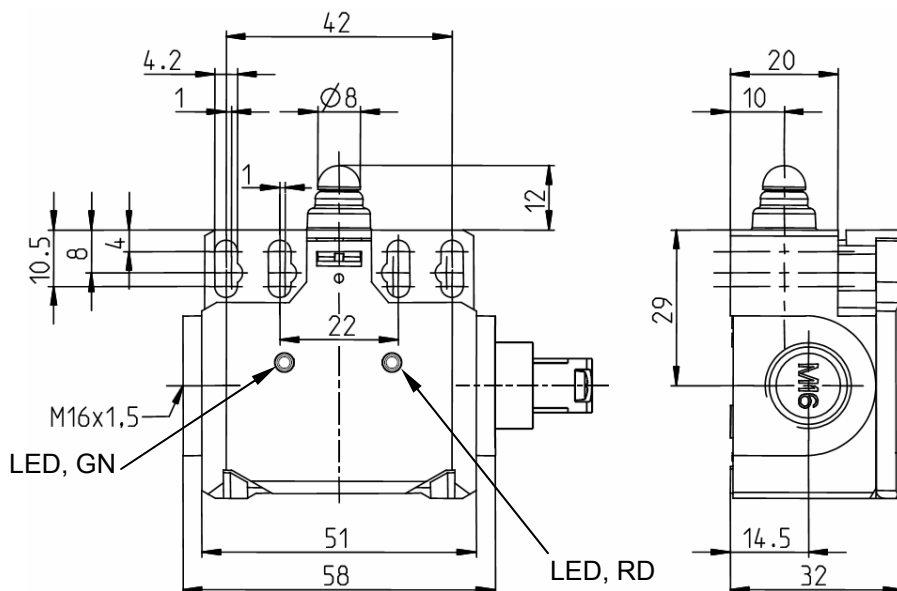
#### Operating symbol



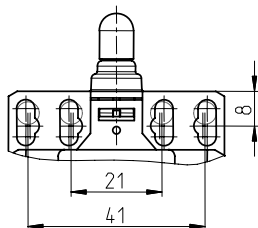
#### Operating diagram



On  
 Off  
 Tolerance:  
 Operating point  $\pm 0,25$  mm;  
 Actuating force  $\pm 10$  %



#### Fixed positioning for safety applications



Mounting screw M5 according to DIN 912 or  
DIN EN ISO 4762

This document will not become the contractual basis; the details included herein do not constitute any descriptions of expected conditions, so that warranties/claims for defects on account of possible variations of the actual qualities from the qualities described herein are explicitly excluded. All rights reserved. Specifications subject to change without notice!

Date of issue: 07.07.2011 / Page 1 of 2  
Document : 6073201051\_en / Last update : 1 / 2366-11

# Technical Data

## Plastic bodied limit switch



Electrical data		
Operating voltage	U	26,5 ... 31,6 V; via AS-interface, reverse-polarity proof
Operating current	I	< 30 mA
AS-i Specifications		Profile S-0.B
		IO-Code: 0x0      ID-Code: 0xB
		ID-Code1: 0xF      ID-Code2: 0xE
AS-i Inputs	Contact 1:	Date bits D0/D1 = static 00 or dynamic code transmission
	Contact 2:	Date bits D2/D3 = static 00 or dynamic code transmission
Parameter bits		no function
AS-i Address		preset address: 0

Mechanical data	
Enclosure	Thermoplastic, glass fibre reinforced
Cover	Thermoplastic, glass fibre reinforced
Indication	LEDs for slave and bus state
Actuator	Lever (thermoplastic)
Ambient air temperature	-25° C ... +70° C
Contact type	2 NC (slow-action, Zb)
Mechanical life	1 x 10 <sup>6</sup> switching cycles
Switching frequency	≤ 100 / min
Assembly	2 x M4 / 2 x M5 / 2 x M3 front mounting
Connection	Contacted via piercing technology
Line Type	AS-Interface @ ribbon cable
	yellow
Weight	≈ 0,15 kg
Installation position	operator definable
Protection type	IP65 acc. to EN 60529; DIN VDE 0470 T1

**Actuation**

The push bolt actuator is mainly intended to be actuated along it's axis.  
Side actuation will considerably reduce switch life.

Standards
VDE 0660 T100, DIN EN 60947-1, IEC 60947-1
VDE 0660 T200, DIN EN 60947-5-1, IEC 60947-5-1
EN 50295, EN ISO 13849-1

EU Conformity
acc. to EMC Directive

Safety Classification
according 13849-1 to PL e
MTTFd = high
PFD = 2,49 * 10 <sup>-10</sup>

**Notes**

The degree of protection specified (IP code) applies only to a properly closed cover and the use of an equivalent connector.

This document will not become the contractual basis; the details included herein do not constitute any descriptions of expected conditions, so that warranties/claims for defects on account of possible variations of the actual qualities from the qualities described herein are explicitly excluded. All rights reserved. Specifications subject to change without notice!

Date of issue: 07.07.2011 / Page 2 of 2  
Document : 6073201051\_en / Last update : 1 / 2366-11