

Valve systems ▶ Standardized valve systems

ISO 5599-1, size 3, Series 581
Accessories

Pressure controller

▶ Qn = 1700 l/min ▶ standard: ISO 5599-1 ▶ Frame size: ISO 3 ▶ Controlled port: 1, 2, 2, 4, 4



24710_a

Working pressure min./max.	-- / 12 bar
Ambient temperature min./max.	-15°C / +50°C
Medium	Compressed air
Max. particle size	5 µm
Oil content of compressed air	0 mg/m³ - 5 mg/m³
Qn	1700 l/min
Tightening torque for mounting screws	6 Nm

Materials:	
Housing	Aluminum
Seals	Butadiene rubber

The delivered product may vary from that in the illustration.

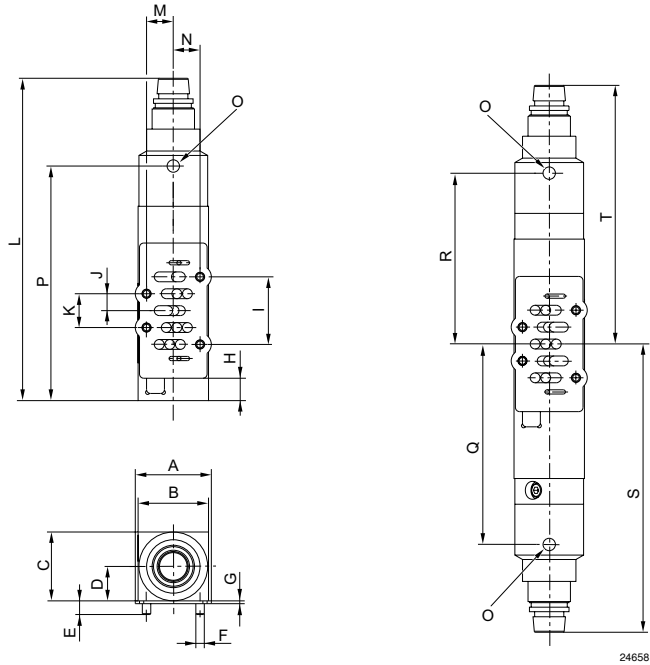
	Frame size	Adjustment range min./max.	Controlled port	Weight	Part No.
		[bar]		[kg]	
	ISO 3	0.5 / 8	1	1.9	R422103096
	ISO 3	0.5 / 8	2	2.06	R422103097
	ISO 3	0.5 / 8	2, 4	2.8	R422103098
	ISO 3	0.5 / 8	1	1.9	R422103167
	ISO 3	0.5 / 8	4	2.06	R422103168

Scope of delivery incl. seal and mounting screws
Order pressure gauge separately
Nominal flow Qn at 6 bar and Δp = 1 bar.

ISO 5599-1, size 3, Series 581

Accessories

Dimensions



Part No.	A	B	C	D	E	F	G	H	I	J	K	L
R422103096	-	68	68	34	13.7	M8	2	19.2	64	16	32	288.8
R422103097	-	68	68	34	13.7	M8	2	19.2	64	16	32	294.72
R422103098	-	68	68	34	13.7	M8	2	19.2	64	16	32	-
R422103167	-	68	68	34	13.7	M8	2	1.5	64	16	32	288.8
R422103168	-	68	68	34	13.7	M8	2	1.5	64	16	32	307

Part No.	M	N	O	P	Q	R	S	T				
R422103096	24	24	G1/8	200.5	-	-	-	-				
R422103097	24	24	G1/8	206.46	-	-	-	-				
R422103098	24	24	G1/8	-	161.26	131.26	249.52	219.52				
R422103167	24	24	G1/8	-	-	-	-	-				
R422103168	24	24	G1/8	-	-	-	-	-				