



# TLK 94

## MICROPROCESSOR-BASED DIGITAL ELECTRONIC CONTROLLER



### OPERATING INSTRUCTIONS

Vr. 01 (ENG) - 01/10  
cod.: ISTR-MTLK94ENG1

**TECNOLOGIC S.p.A.**

VIA INDIPENDENZA 56  
27029 VIGEVANO (PV) ITALY

TEL.: +39 0381 69871

FAX: +39 0381 698730

internet : <http://www.tecnologic.it>

e-mail: [info@tecnologic.it](mailto:info@tecnologic.it)

### FOREWORD



This manual contains the information necessary for the product to be installed correctly and also instructions for its maintenance and use; we therefore recommend that the utmost attention is paid to the following instructions and to save it.

This document is the exclusive property of **TECNOLOGIC S.p.A.** which forbids any reproduction and divulgation, even in part, of the document, unless expressly authorized. **TECNOLOGIC S.p.A.** reserves the right to make any formal or functional changes at any moment and without any notice. Whenever a failure or a malfunction of the device may cause dangerous situations for persons, things or animals, please remember that the plant has to be equipped with additional devices which will guarantee safety. **Tecnologic S.p.A.** and its legal representatives do not assume any responsibility for any damage to people, things or animals deriving from violation, wrong or improper use or in any case not in compliance with the instrument's features.

### INDEX

- 1 **INSTRUMENT DESCRIPTION**
  - 1.1 GENERAL DESCRIPTION
  - 1.2 FRONT PANEL DESCRIPTION
- 2 **PROGRAMMING**
  - 2.1 FAST PROGRAMMING OF THE SET POINT
  - 2.2 SELECTION OF CONTROL STATE AND PARAMETERS PROGRAMMING
  - 2.3 PARAMETER PROGRAMMING LEVELS
  - 2.4 CONTROL STATES
  - 2.5 ACTIVE SET POINT SELECTION
- 3 **INFORMATION ON INSTALLATION AND USE**
  - 3.1 PERMITTED USE
  - 3.2 MECHANICAL MOUNTING
  - 3.3 ELECTRICAL CONNECTIONS
  - 3.4 ELECTRICAL WIRING DIAGRAM
- 4 **FUNCTIONS**
  - 4.1 MEASURING AND VISUALIZATION
  - 4.2 OUTPUT CONFIGURATION
  - 4.3 ON/OFF CONTROL
  - 4.4 NEUTRAL ZONE ON/OFF CONTROL
  - 4.5 SINGLE ACTION PID CONTROL
  - 4.6 DOUBLE ACTION PID CONTROL
  - 4.7 PID CONTROL FOR MOTORIZED ACTUATORS WITH TIME POSITIONING
  - 4.8 AUTO-TUNING AND SELF-TUNING FUNCTIONS
  - 4.9 CONTROL POWER LIMITATION
  - 4.10 LIMITATION OF THE CONTROL POWER VARIATION SPEED (MAXIMUM RATE OF RISE)
  - 4.11 SPLIT RANGE FUNCTION
  - 4.12 REACHING OF SET POINT AT CONTROLLED SPEED AND AUTOMATIC COMMUTATION BETWEEN TWO SET POINTS
  - 4.13 SOFT-START FUNCTION
  - 4.14 ALARMS OUTPUTS FUNCTIONS
  - 4.15 HEATER BREAK ALARM FUNCTION
  - 4.16 LOOP BREAK ALARM FUNCTION
  - 4.17 FUNCTION OF KEY "U"
  - 4.18 DIGITAL INPUTS
  - 4.19 RS 485 SERIAL INTERFACE
  - 4.20 PARAMETERS CONFIGURATION BY A01
- 5 **PROGRAMMABLE PARAMETERS TABLE**
- 6 **PROBLEMS, MAINTENANCE AND GUARANTEE**
  - 6.1 ERROR WARNINGS
  - 6.2 CLEANING
  - 6.3 GUARANTEE AND REPAIRS
- 7 **TECHNICAL DATA**
  - 7.1 ELECTRICAL DATA
  - 7.2 MECHANICAL DATA
  - 7.3 MECHANICAL DIMENSIONS, PANEL CUT-OUT AND MOUNTING
  - 7.4 FUNCTIONAL DATA
  - 7.5 MEASURING RANGE TABLE
  - 7.6 INSTRUMENT ORDERING CODES

### 1 - INSTRUMENT DESCRIPTION

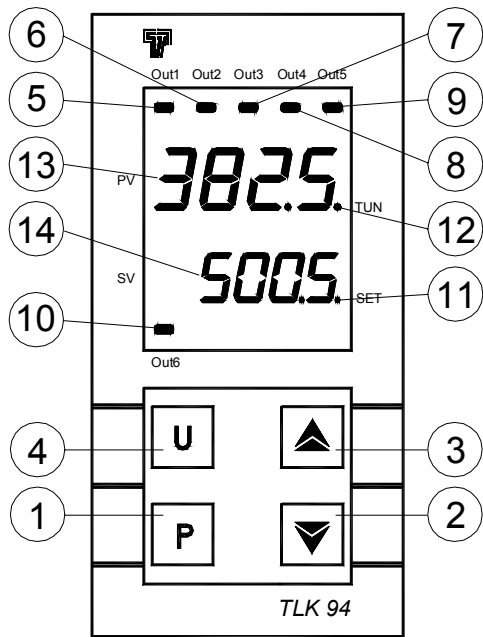
#### 1.1 - GENERAL DESCRIPTION

TLK 94 is a "single loop" digital microprocessor-based controller, with ON/OFF, Neutral Zone ON/OFF, PID single action, PID dual action (direct and reverse) control, PID for motorized actuators with time positioning control. The instrument is equipped with **AUTO-TUNING** function (FAST or OSCILLATING type), **SELF-TUNING** function and automatic calculation of the **FUZZY OVERSHOOT CONTROL** parameter for PID control. The PID control has a particular algorithm with **TWO DEGREES OF FREEDOM** that optimises the instrument's features independently of the event of process disturbances and Set Point variations. Furthermore, the instrument allows for RS485 serial communication using MODBUS-RTU communication protocol and a transmission speed up to 38.400 baud. The process value is visualized on 4 red displays, the Set value is visualized on 4 green displays while the outputs status is indicated by 6 leds. The

instrument provides for the storage of 4 Set Points and can have up to 6 outputs : relay type or can drive solid state relays type (SSR), or it is also possible to have up to 2 analogue outputs.

The input is programmable and accepts temperature probes (Thermocouples J,K,S,B,C,E,L,N,R,T; Thermo-resistances PT100, Thermistors PTC and NTC; Infrared sensors mod. TECNOLOGIC IRS) and normalized analogue signals (0/4..20 mA, 0/1..5 V, 0/2..10 V, 0..50/60 mV, 12..60 mV). The instrument have 2 programmable digital inputs for free voltage contacts and can be equipped with an input for the current transformer, working as a Heater Break Alarm function. Other important available functions are: Loop-Break Alarm function, control power limitation, limitation of the variation speed of the control power, split-range, reaching of the Set Point at controlled speed, ramp and dwell function, Soft-Start function, parameters protection on different levels.

1.2 - FRONT PANEL DESCRIPTION



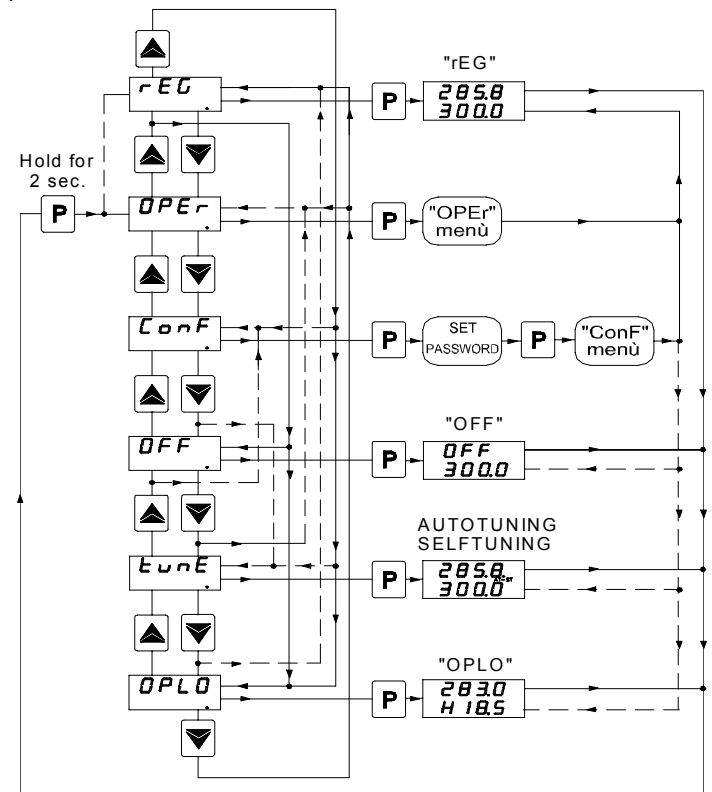
- 1 - Key P : This is used to access the programming parameters and to confirm selection.
- 2 - Key DOWN : This is used to decrease the values to be set and to select the parameters. If the key is held down, the user returns to the previous programming level until he exits the programming mode. Outside the programming mode it permits visualisation of the current measured by the TAHB input, on the SV display.
- 3 - Key UP : This is used to increase the values to be set and to select the parameters. If the key is held down, the user returns to the previous programming level until he exits the programming mode. Outside the programming mode it permits visualisation of the output control power, on the SV display.
- 4 - Key U : This is a key with a function programmable by par. "USrb". It can be set to : Activate Auto-tuning and Self-tuning functions, swap the instrument to manual control, silence the alarm, change the active Set Point, deactivate control (see par. 4.17) and modify the visibility of the parameters in "ConF" menu (see par. 2.3).
- 5 - Led OUT1 : indicates the state of output OUT1
- 6 - Led OUT2 : indicates the state of output OUT2
- 7 - Led OUT3 : indicates the state of output OUT3
- 8 - Led OUT4 : indicates the state of output OUT4
- 9 - Led OUT5 : indicates the state of output OUT5
- 10 - Led OUT6 : indicates the state of output OUT6
- 11 - Led SET : it indicates access to the programming mode and the parameters level (see par. 2.3).
- 12 - Led TUN : indicates that the Self-tuning function is activated (light on) or that Auto-tuning (flashing ) is in progress.
- 13 - Display PV: normally indicates the process value
- 14 - Display SV: normally indicates the active Set value, however it can be programmed, using par. "diSP", to visualize other values.

2.1 - FAST PROGRAMMING OF THE SET POINT

This procedure permits rapid programming of the active Set Point and possibly the alarm thresholds (see par 2.3) Push key "P", then release it and the display will visualise "SP n" (where n is the number of the Set Point active at that moment) and the programmed value. To modify the value, press "UP" key to increase it or the "DOWN" key to decrease it. These keys change the value one digit at a time but if they are pressed for more than one second, the value increases or decreases rapidly and, after two seconds in the same condition, the changing speed increases in order to allow the desired value to be reached rapidly. Once the desired value has been reached, by pushing key P it is possible to exit by the fast programming mode or it is possible to visualise the alarm thresholds AL1, AL2, AL3, AL4 (see par. 2.3). To exit the fast Set programming it is necessary to push key P, after the visualisation of the last Set Point, or alternatively, if no key is pressed for approx. 15 seconds, the display will return to normal functioning automatically.

2.2 - SELECTION OF THE CONTROL STATE AND PARAMETERS PROGRAMMING

By pushing key "P" and holding it down for approx. 2 sec. it is possible to enter into the main selection menu.



Using the "UP" or DOWN" keys, it is then possible to roll over the selections:

"OPEr"	to enter into the operating parameters menu
"ConF"	to enter into the configuration parameters menu
"OFF"	to swap the regulator into the OFF state
"rEG"	to swap the regulator into the automatic control state
"tunE"	to activate the Auto-tuning or Self-tuning function
"OPLO"	to swap the regulator to the manual control state and therefore to program the % control value using the "UP" and "DOWN" keys

Once the desired item has been selected, push key "P" to confirm. Selecting "OPEr" and "ConF" gives the possibility of accessing other menus containing additional parameters and more precisely : "OPEr" – Operating parameters Menu: this normally contains the Set Point parameters but it can contain all the desired parameters (see par. 2.3).

**"ConF"** – Configuration parameters Menu: this contains all the operating parameters and the functioning configuration parameters (alarm configuration, control, input, etc.)

To enter the menu **"ConF"** select the option **"ConF"**, press the key **"P"** and the display will show **"0"**.

At this request, enter, using keys **"UP"** and **"DOWN"**, the number reported on the last page of this manual and push key **"P"**.

If an incorrect password is entered, the instrument exit from programming mode.

If the password is correct, the display will visualise the code identifying the first group of parameters (**"1SP"**) and with keys **"UP"** and **"DOWN"** it will be possible to select the desired group of parameters.

Once the desired group of parameters has been selected, the code identifying the first parameter of the selected group will be visualised by pushing the **"P"** key.

Again using the **"UP"** and **"DOWN"** keys, it is possible to select the desired parameter and, if the key **"P"** is pressed, the display will show the parameter's code and its programming value, which can be modified by using the **"UP"** or **"DOWN"** keys.

Once the desired value has been programmed, push key **"P"** once more: the new value will be memorised and the display will show only the code of the selected parameter.

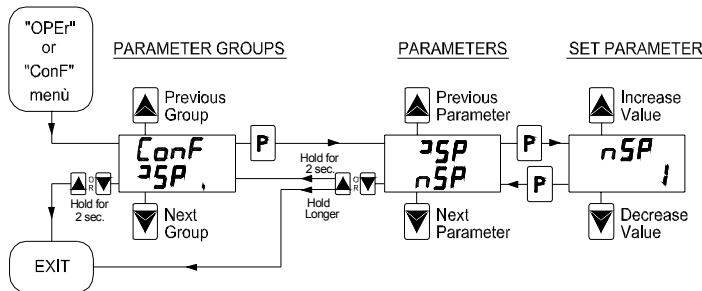
By using the **"UP"** or **"DOWN"** keys, it is then possible to select a new parameter (if present) and modify it as described above.

To select another group of parameters, keep the **"UP"** or **"DOWN"** key pressed for approx. 2 sec., afterwards the display will return to visualise the code of the group of parameters.

Release the key and by using the **"UP"** and **"DOWN"** keys, it will be possible to select a new group.

To exit the programming mode, no key should be pressed for approx. 20 seconds, or keep the **"UP"** or **"DOWN"** pressed until exit from the programming mode is obtained.

The programming and exit modes for the **"OPeR"** menu are the same as those described for menu **"ConF"** with the difference that to access the menu **"OPeR"** the Password is not required.



**ATTENTION:** The instrument is programmed in factory with all the parameters, to exception of the Set Point "SP1" (and 2,3,4), programmable in the menu "ConF" to the purpose to prevent wrong accidental programming from non experienced consumers.

### 2.3 - PARAMETERS PROGRAMMING LEVELS

The menu **"OPeR"** normally contains the parameters used to program the Set Point; however it is possible to make all desired parameters appear or disappear on this level, by following this procedure:

Enter the menu **"ConF"** and select the parameter to be made programmable or not programmable in the menu **"OPeR"**.

Once the parameter has been selected, if the LED SET is switched off, this means that the parameter is programmable only in the menu **"ConF"**, if instead the LED is on, this means that the parameter is also programmable in the menu **"OPeR"**.

To modify the visibility of the parameter, push key **"U"**: the LED SET will change its state indicating the parameter accessibility level (on = menu **"OPeR"** and **"ConF"**; off = menu **"ConF"** only).

The active Set Point and the alarm thresholds will only be visible on the Set Point fast programming level (described in par. 2.1) if the relative parameters are programmed to be visible (i.e. if they are present in the menu **"OPeR"**).

The possible modification of these Sets, with the procedure described in par. 2.1, is instead subordinate to what is programmed in par. **"Edit"** (contained in the group **"1Pan"**).

This parameter can be programmed as :

=SE : The active Set Point can be modified while the alarm thresholds cannot be modified.

=AE : The active Set Point cannot be modified while the alarm thresholds can be modified

=SAE : Both the active Set Point and the alarm thresholds can be modified

=SAnE : Both the active Set Point and the alarm thresholds cannot be modified

### 2.4 - CONTROL STATE

The controller can act in 3 different ways : automatic control (**rEG**), control off (**OFF**) and manual control (**OPLO**).

The instrument is able to pass from one state to the other :

- by selecting the desired state from the main selection menu using the keyboard.

- By using the key **"U"** on the keyboard; suitably programming par. **"USrb"** (**"USrb"** = tunE; **"USrb"** = OPLO; **"USrb"** = OFF) it is possible to pass from **"rEG"** state to the state programmed on the parameter and vice versa.

- Automatically (the instrument swaps into **"rEG"** state at the end of the auto-tuning execution)

When switched on, the instrument automatically reassumes the state it was in when it was last switched off.

**AUTOMATIC CONTROL (rEG)** – Automatic control is the normal functioning state of the controller.

During automatic control, on the SV display, it is possible to visualize the control power on the display by pushing key **"UP"**.

The range of the power values goes from H100 (100% of the output power with reverse action) to C100 (100% of the output power with direct action).

**CONTROL OFF (OFF)** – The instrument can be swapped into the **"OFF"** state, i.e. the control and the relative outputs are deactivated.

The alarm outputs are instead working normally.

**BUMPLESS MANUAL CONTROL (OPLO)** – By means of this option it is possible to manually program the power percentage given as output by the controller by deactivating automatic control.

When the instrument is swapped to manual control, the power percentage, visualised on the SV display, is the same as the last one supplied and can be modified using the **"UP"** and **"DOWN"** keys.

In case of ON/OFF control, 0% corresponds to the deactivated output while any value different from 0 corresponds to the activated output.

As in the case of visualization, the programmable values range from H100 (100% output power with reverse action) to C100 (100% output power with direct action).

In case of motorized actuators with time positioning, the manual control of the output is obtainable in the following way :

- By pushing the UP key, the opening of the actuator is driven

- By pushing DOWN key, the closing of the actuator is driven

For all time during which the manual control is active, **"3 Pt"** or **"OPEn"** is visible on the lower display if the UP key is pressed or **"CLOS"** if the DOWN key is pressed.

To return to automatic control, select **"rEG"** in the selection menu.

### 2.5 - ACTIVE SET POINT SELECTION

This instrument permits pre-programming of up to 4 different Set points (**"SP1"**, **"SP2"**, **"SP3"**, **"SP4"**) and then selection of which one must be active. The maximum number of Set points is determined by the par. **"nSP"** located in the group of parameters **"1SP"**.

The active Set point can be selected :

- by parameter **"SPAt"** in the group of parameters **"1SP"**.

- by key **"U"** if par. **"USrb"** = CHSP

- by digital input if par. **"diF"** = CHSP or = SP1.2 or =HECo)

- Automatically between SP1 and SP2 if a time **"dur.t"** (see par. 4.12) has been programmed.

Set Points **"SP1"**, **"SP2"**, **"SP3"**, **"SP4"** will be visible depending on the maximum number of Set Points selected on par. **"nSP"** and they can be programmed with a value that is between the value programmed on par. **"SPLL"** and the one programmed on par. **"SPHL"**.

**Note :** in all the following examples the Set point is indicated as "SP", however the instrument will act according to the Set point selected as active.

### 3 - INFORMATION ON INSTALLATION AND USE



#### 3.1 - PERMITTED USE

The instrument has been projected and manufactured as a measuring and control device to be used according to EN61010-1 for the altitudes operation until 2000 ms.

The use of the instrument for applications not expressly permitted by the above mentioned rule must adopt all the necessary protective measures.

The instrument CANNOT be used in dangerous environments (flammable or explosive) without adequate protection.

The installer must ensure that EMC rules are respected, also after the instrument installation, if necessary using proper filters.

Whenever a failure or a malfunction of the device may cause dangerous situations for persons, thing or animals, please remember that the plant has to be equipped with additional devices which will guarantee safety.

#### 3.2 - MECHANICAL MOUNTING

The instrument, in DIN case 48 x 96 mm, is designed for flush-in panel mounting.

Make a hole 45 x 92 mm and insert the instrument, fixing it with the provided special brackets.

We recommend that the gasket is mounted in order to obtain the front protection degree as declared. Avoid placing the instrument in environments with very high humidity levels or dirt that may create condensation or introduction of conductive substances into the instrument.

Ensure adequate ventilation to the instrument and avoid installation in containers that house devices which may overheat or which may cause the instrument to function at a higher temperature than the one permitted and declared.

Connect the instrument as far away as possible from sources of electromagnetic disturbances such as motors, power relays, relays, solenoid valves, etc.

The instrument can be removed from its housing from the front side : it is recommended that the instrument be disconnected from the power supply when it is necessary to carry out this operation.

#### 3.3 - ELECTRICAL CONNECTION

Carry out the electrical wiring by connecting only one wire to each terminal, according to the following diagram, checking that the power supply is the same as that indicated on the instrument and that the load current absorption is no higher than the maximum electricity current permitted.

As the instrument is built-in equipment with permanent connection inside housing, it is not equipped with either switches or internal devices to protect against overload of current: the installation will include an overload protection and a two-phase circuit-breaker, placed as near as possible to the instrument, and located in a position that can easily be reached by the user and marked as instrument disconnecting device which interrupts the power supply to the equipment.

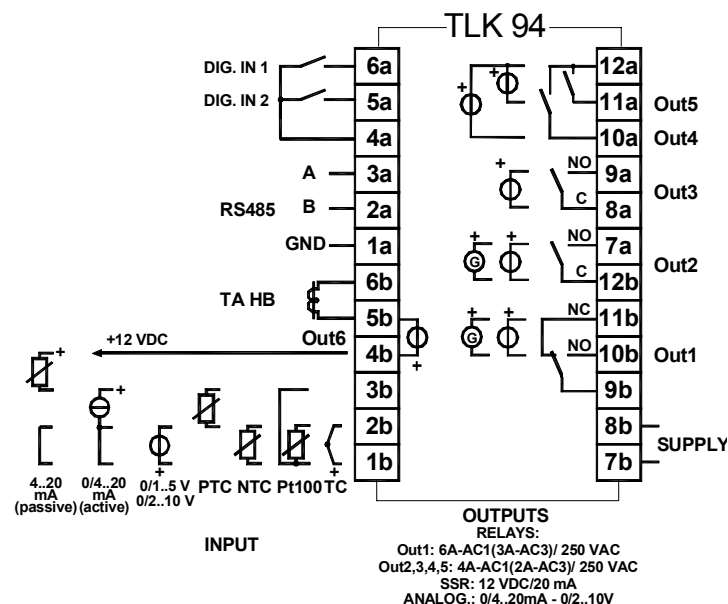
It is also recommended that the supply of all the electrical circuits connected to the instrument must be protect properly, using devices (ex. fuses) proportionate to the circulating currents.

It is strongly recommended that cables with proper insulation, according to the working voltages and temperatures, be used.

Furthermore, the input cable of the probe has to be kept separate from line voltage wiring. If the input cable of the probe is screened, it has to be connected to the ground with only one side.

We recommend that a check should be made that the parameters are those desired and that the application functions correctly before connecting the outputs to the actuators so as to avoid malfunctioning that may cause irregularities in the plant that could cause damage to people, things or animals.

### 3.4 - ELECTRICAL WIRING DIAGRAM



### 4 - FUNCTIONS

#### 4.1 - MEASURING AND VISUALIZATION

All the parameters referring measurements are contained in the group "InP".

By using par. "HCFG", it is possible to select the input signal type which may come: from a thermocouple (tc), a thermo-resistance or a thermistor (rtd), from a transducer with normalised analogue signal in current (I) or tension (UoLt) or also from a signal coming from the communication serial line of the instrument (SEr).

Once the signal type has been selected, it is necessary to set the type of input probe on par. "SEnS", which can be :

- for thermocouples J (J), K (CrAl), S (S), B (b), C (C), E (E), L (L), N (n), R (r), T (t) or for infrared sensors serie TECNOLOGIC IRS - A range - with linearization J (Ir.J) or K (Ir.CA)
- for thermoresistances Pt100 IEC (Pt1) or thermistors PTC KTY81-121 (Ptc) or NTC 103AT-2 (ntc)
- for normalised signals in current 0..20 mA (0.20) or 4..20 mA (4.20)
- for normalised signals in tension 0..50 mV (0.50), 0..60 mV (0.60), 12..60 mV (12.60), 0..5 V (0.5), 1..5 V (1.5), 0..10 V (0.10) or 2..10 V (2.10).

We recommend that the instrument be switched on and off whenever these parameters are modified, in order to obtain a correct measurement.

For the instruments with input for temperature probes (tc, rtd) it is possible to select the unit of measurement (°C, °F) through par. "Unit", and the desired resolution (0=1°; 1=0,1°) through par. "dP".

Instead, with regards to the instruments with normalised analogue input signals, it is first necessary to program the desired resolution on par. "dP" (0=1; 1=0,1; 2=0,01; 3=0,001) and then, on par. "SSC", the value that the instrument must visualise at the beginning of the scale (0/4 mA, 0/12 mV, 0/1 V o 0/2 V) and, on par. "FSC", the value that the instrument must visualise at the end of the scale (20 mA, 50 mV, 60 mV, 5 V or 10 V).

In the case of infrared sensors (TECNOLOGIC IRS-"A" range), by programming the sensor as "Ir.J" or "Ir.CA", the par. "rEFL" is also present and it allows the correction of possible measuring errors caused by the environment lighting and by the reflectivity of the material. This parameter should be programmed with a high value if the material to be measured is particularly bright / reflective and must be reduced if the surface is particularly dark / not reflective, keeping in mind however that for most materials, the recommended value is within 1.00 and 0.80.

The instrument allows for measuring calibration, which may be used to recalibrate the instrument according to application needs, by using par. "OFSt" and "rot".

Programming par. "rot"=1,000, in par. "OFSt" it is possible to set a positive or negative offset that is simply added to the value read by the probe before visualisation, which remains constant for all the measurements.

If instead, it is desired that the offset set should not be constant for all the measurements, it is possible to operate the calibration on any two points.

In this case, in order to decide which values to program on par. "OFSt" and "rot", the following formulae must be applied :

$$\text{"rot"} = (D2-D1) / (M2-M1) \quad \text{"OFSt"} = D2 - (\text{"rot"} \times M2)$$

where:

M1 =measured value 1

D1 = visualisation value when the instrument measures M1

M2 =measured value 2

D2 = visualisation value when the instrument measures M2

It then follows that the instrument will visualise :

$$DV = MV \times \text{"rot"} + \text{"OFSt"}$$

where: DV = visualised value      MV= measured value

**Example 1:** It is desired that the instrument visualises the value effectively measured at 20° but that, at 200°, it visualises a value lower than 10° (190°).

Therefore : M1=20 ; D1=20 ; M2=200 ; D2=190

"rot" = (190 - 20) / (200 - 20) = 0,944

"OFSt" = 190 - (0,944 x 200) = 1,2

**Example 2:** It is desired that the instrument visualises 10° whilst the value actually measured is 0°, but, at 500° it visualises a 50° higher value (550°).

Therefore : M1=0 ; D1=10 ; M2=500 ; D2=550

"rot" = (550 - 10) / (500 - 0) = 1,08

"OFSt" = 550 - (1,08 x 500) = 10

By using par. "FiL" it is possible to program time constant of the software filter for the input value measured, in order to reduce noise sensitivity (increasing the time of reading).

In case of measurement error, the instrument supplies the power as programmed on par. "OPE".

This power will be calculated according to cycle time programmed for the PID controller, while for the ON/OFF controllers the cycle time is automatically considered to be equal to 20 sec. (e.g. In the event of probe error with ON/OFF control and "OPE"=50, the control output will be activated for 10 sec., then it will be deactivated for 10 sec. and so on until the measurement error remains.)

By using par. "InE" it is also possible to decide the conditions of the input error, allowing the instrument to give the power programmed on par. "OPE" as output.

The possibilities of par. "InE" are :

= Or : the condition occurs in case of over-range or probe breakage

= Ur : the condition occurs in case of under-range or probe breakage

= OUr : the condition occurs in case of over-range or under-range or probe breakage

Using par. "diSP", located in the group "PAN", it is possible to set normal visualization of the SV display which can be the active Set Point (SP.F), the control power (Pou), the Set Point operating when there are active ramps (SP.o) or alarm threshold AL1, 2, 3, 4 .

## 4.2 - OUTPUT CONFIGURATION

The instrument's outputs can be programmed by entering the group of parameters "iOut" where different parameters (depending on the type of outputs - digital or analogue - available on the instrument) are located.

**Note:** In the following examples, the number of outputs is generically indicated with n

- **DIGITAL OUTPUTS relay or SSR type :**

The par. "OnF" can be set for the following functions :

= 1.rEG : Main control output

= 2.rEG : Secondary control output

= ALno : Alarm output normally open

= ALnc : Alarm output normally closed

= On : Output always activated

= OFF : Output deactivated

The coupling outputs number outputs – number alarms can be made in the group referring to the alarm to the alarm ("AL1, 2, 3,

4"). The option "On" it results usable for the output OUT6 (standard on all the models) to have an auxiliary supply output for input sensors

- **ANALOGICAL OUTPUTS 0/4..20 mA or 0/2..10 V (only OUT1,2):**

With the parameter "Aorn" it is possible to set the beginning of the scale used for the output.

This parameter will therefore be set at:

= 0 : if one intends to use the beginning of the scale as equal to 0 (0 mA if the output is 0/4...20 mA, or 0 V if the output is 0/2...10 V)

= no\_0 : if one intends to use the beginning of the scale other than 0 (4 mA if the output is 0/4...20 mA, or 2 V if the output is 0/2...10 V)

The parameter "AonF" will be present by which it is possible to configure the function of the analogical output as:

= 1.rEG : Primary control output

= 2.rEG : Secondary control output

= r.inP : measurement retransmission output

= r.Err : error retransmission output [SP-PV]

= r.SP : Active Set Point retransmission output

= r.Ser : output led by serial communication line of the instrument

= OFF : deactivated output

In the case that analogical output is configured as 1.rEG or 2.rEG the output signal will be proportional to the control power calculated by the instrument starting from 0% (output signal corresponding to the set beginning of the scale) up to 100% (output signal corresponds to the maximum that can be supplied by the type of output available).

The analogical control outputs can only be used for PID single action or dual action controls.

If the set control mode was the ON/OFF type, the analogical output could only take on the control states 0 % or 100 %.

In the case that the analogical output function should be configured for the retransmission of the signal, it is therefore necessary to programme another two parameters which set the minimum and maximum reference values.

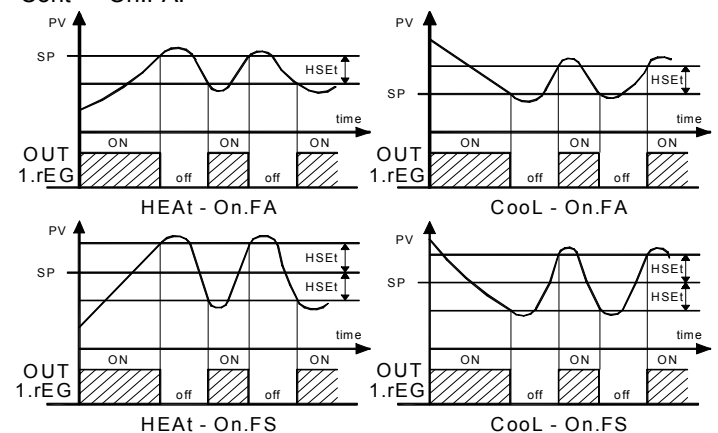
Therefore, in these cases, set the parameter "AonL" with the value that the instrument must provide the minimum value (0/4 mA or 0/2 V) in output and the value to which the instrument must provide the maximum value (20 mA or 10 V) to the parameter "AonH" in output.

## 4.3 - ON/OFF CONTROL (1.rEG)

All the parameters referring to the ON/OFF control are contained in the group "iREG".

This type of control can be obtained by programming par. "Cont" = On.FS or = On.FA and works on the output programmed as 1.rEG, depending on the measure, on the active Set Point "SP", on the functioning mode "Func" and on the hysteresis "HSET".

The instrument carries out an ON/OFF control with symmetric hysteresis if "Cont" = On.FS or with asymmetrical hysteresis if "Cont" = On.FA.



The control works in the following way : in the case of reverse action, or heating ("Func"=HEAT), it deactivates the output, when the process value reaches [SP + HSET] in case of symmetrical hysteresis, or [SP] in case of asymmetrical hysteresis and is then activated again when the process value goes below value [SP - HSET]. Vice versa, in case of direct action or cooling ("Func"=Cool), it deactivates the output, when the process value

reaches [SP - HSEt] in case of symmetrical hysteresis, or [SP] in case of asymmetrical hysteresis and is activated again when the process value goes above value [SP + HSEt].

#### 4.4 - NEUTRAL ZONE ON/OFF CONTROL (1.rEG - 2.rEG)

All the parameters referring to Neutral Zone ON/OFF control are contained in the group "1rEG".

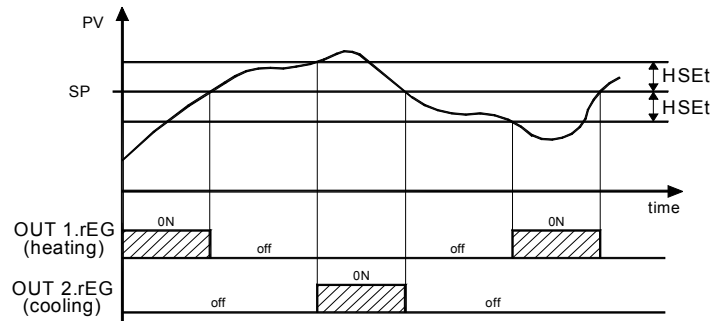
This type of control can be obtained when 2 outputs are programmed respectively as 1.rEG and 2.rEG and the par. "Cont" = nr .

The Neutral Zone control is used to control plants in which there is an element which causes a positive increase (ex. Heater, humidifier, etc.) and an element which causes a negative increase (ex. Cooler, de-humidifier, etc).

The control functions works on the programmed outputs depending on the measurement, on the active Set Point "SP" and on the hysteresis "HSEt".

The control works in the following way : it deactivates the outputs when the process value reaches the Set Point and it activates the output 1.rEG when the process value goes below value [SP - HSEt], or it activates the output 2.rEG when the process value goes above [SP + HSEt].

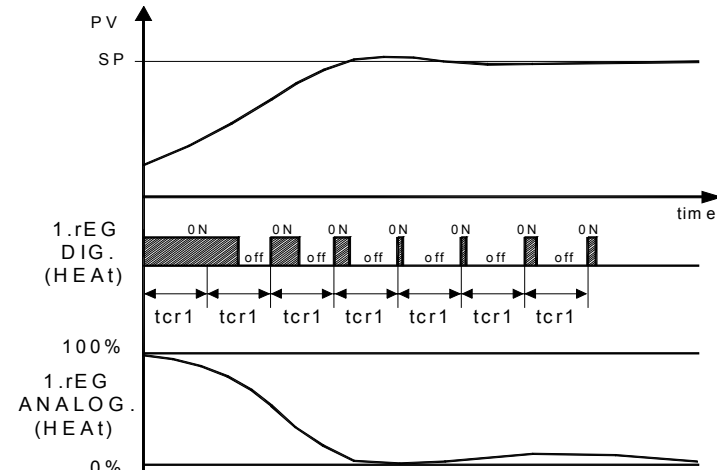
Consequently, the element causing a positive increase has to be connected to the output programmed as 1.rEG while the element causing a negative increase has to be connected to the output programmed as 2.rEG.



#### 4.5 - SINGLE ACTION PID CONTROL (1.rEG)

All the parameters referring to PID control are contained in the group "1rEG".

The Single Action PID control can be obtained by programming par."Cont" = Pid and works on the output 1.rEG depending on the active Set Point "SP", on the functioning mode "Func" and on the instrument's PID algorithm with two degree of freedom.



In order to obtain good stability of the process variable, in the event of fast processes and with control by digital output, the cycle time "tcr1" has to have a low value with a very frequent intervention of the control output.

In this case use of a solid state relay (SSR) is recommended for driving the actuator.

The Single Action PID control algorithm foresees the setting of the following parameters :

"Pb" - Proportional Band

"tcr1" - Cycle time of the output 1rEG (digital output only)

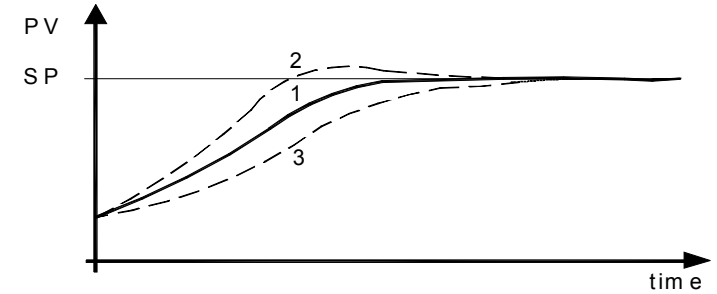
"Int" - Integral Time

"rS" - Manual Reset (if "Int =0 only)

"dEr" - Derivative Time

"FuOC" - Fuzzy Overshoot Control

This last parameter allows the variable overshoots at the start up of the process or at the changing of the Set Point to be avoided. Please remember that a low value on this parameter reduces the overshoot while a high value increase it.



1: "FuOC" OK

2: "FuOC" too high

3: "FuOC" too low

#### 4.6 - DOUBLE ACTION PID CONTROLLER (1.rEG - 2.rEG)

All the parameters referred to PID control are contained into the group "1rEG".

The Double Action PID control is used to control plants where there is an element which causes a positive increment (ex. Heating) and an element which causes a negative increment (ex. Cooling).

This type of control is obtainable when 2 outputs are programmed respectively as 1.rEG and 2.rEG and the par. "Cont" = Pid.

The element causing a positive increase has to be connected to the output programmed as 1.rEG while the element causing a negative increase has to be connected to the output programmed as 2.rEG.

The Double Action PID control works on the outputs 1.rEG and 2.rEG depending on the active Set Point "SP" and on the instrument's PID algorithm with two degree of freedom.

In order to obtain a good stability of the process variable, in case of fast processes and with control by digital outputs, the cycle times "tcr1" and "tcr2" have to have a low value with a very frequent intervention of the control outputs.

In this case it's recommended to use solid state relays (SSR) to drive the actuators.

The Double Action PID control algorithm needs the programming of the following parameters :

"Pb" - Proportional Band

"tcr1" - Cycle time of the output 1rEG

"tcr 2" - Cycle time of the output 2rEG

"Int" - Integral Time

"rS" - Manual Reset (if "Int =0 only)

"dEr" - Derivative Time

"FuOC" - Fuzzy Overshoot Control

"Prat" - Power Ratio or relation between power of the element controlled by output 2.rEG and power of the element controlled by output 1.rEG.

#### 4.7 - PID CONTROL FOR MOTORIZED ACTUATORS WITH TIME POSITIONING (1.rEG - 2.rEG)

All the parameters concerning the PID control for motorised actuators are contained in the group "1rEG".

This type of control is used to control installations that have a motorised actuator with digital opening and closing controls that remain at the point they have reached if no command is received and which are started up when 2 outputs are configured as 1.rEG and 2.rEG respectively and the parameter "Cont" = 3 Pt is set.

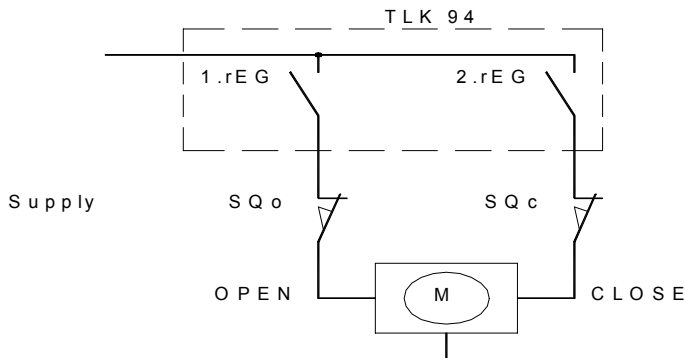
The opening command for actuation will be supplied by the output configured as 1.rEG while the closing command will be supplied by the output configured as 2.rEG.

The PID type control for motorised actuators therefore acts on the outputs 1.rEG and 2.rEG depending on the active Set point "SP"

and the result of the PID control algorithm with two degrees of liberty for the instrument.

The control system used does not foresee a retroaction for finding the current position of the actuator.

If the actuator is not fitted with safety stop contacts that interrupt the actuator at the end of its run it is necessary to equip the installation with these contacts (SQo, SQc) as shown in the diagram



The PID control algorithm for motorised actuators with time positioning foresees the setting of the following parameters:

“Pb” - Proportional band

“Int” - Integral time

“rS” - manual reset (only if “Int =0)

“dEr” - Derivative time

“FuOC” - Fuzzy Overshoot Control

“tcor” - time of actuator run.

This is the time, expressed in seconds that is needed for the actuator to pass from the “completely open” position to “completely closed” position.

“SHrl” - Minimum control value.

It is the value that the control must have reached (in %) before it has an effect on the output. It is needed to prevent the control from intervening too frequently.

“PoSI” - Switch on position.

This is the position that the actuator must reach when the instrument is switched on. It can have the following values :

nO = the actuator remains where it is,

oPEn = the actuator goes to the “completely open” position,

cLoS = the actuator goes to the “completely closed” position.

If the options "OPEN" or "CloS" are programmed, when it is turned on the device with activate the output 1.rEG (if "oPEn") or 2.rEG (if "cLoS") for the time set on parameter "tcor" after which control begins.

In the event of an error in measurement, the outputs are activated so that the valve moves to the position fixed by the parameter “PoSI”.

#### 4.8 - AUTOTUNING AND SELFTUNING FUNCTIONS

All the parameters referring to the AUTO-TUNING and SELF-TUNING functions are contained in the group “1.rEG”.

The AUTO-TUNING and SELF-TUNING functions permit the automatic tuning of the PID controller.

The **AUTO-TUNING** function (**FAST** or **OSCILLATING** type) permits the calculation of the PID parameters by means of a tuning cycle and, at the end of this operation, the parameters are stored into the instrument's memory and remain constant during control.

The **SELF-TUNING** function (rule based "TUNE-IN") instead allows control monitoring and the continuous calculation of the parameters during control.

All functions automatically calculate the following parameters :

“Pb” - Proportional Band

“tcr1” - Cycle time of the output 1.rEG

“Int” - Integral Time

“dEr” - Derivative Time

“FuOC” - Fuzzy Overshoot Control

and, for the Double Action PID control, also :

“tcr 2” - Cycle time of the output 2.rEG

“Prat” - Ratio P 2.rEG/ P 1.rEG

To activate the AUTO-TUNING function proceed as follows :

1) Program and activate the desired Set Point.

2) Program par. "Cont" =Pid or =3 Pt if the instrument drives a motorized actuator with time positioning.

3) Program par. "Func" according to the process to be controlled through output 1.rEG.

4) Program an output as 2.rEG if the instrument controls a plant with double action or a motorized actuator with time positioning.

5) Set the parameter "Auto" as:

= 1 - if FAST autotuning is desired automatically, each time the instrument is switched on, on the condition that the process value is lower (with "Func" =HEAt) than  $[SP- |SP/2|]$  or higher (with "Func" =CoolL) than  $[SP+ |SP/2|]$ .

= 2 - if FAST autotuning is desired automatically, the next time the instrument is switched on, on the condition that the process value is lower (with "Func" =HEAt) than  $[SP- |SP/2|]$  or higher (with "Func" =CoolL) than  $[SP+ |SP/2|]$ , and once the tuning is finished, the par. "Auto" is automatically swapped to the OFF state

= 3 - if manual FAST autotuning is desired, by selecting par. "tunE" in the main menu or by key "U" correctly programming as "USrb" = tunE. The Autotuning will start at the condition that the process value is lower (with "Func" =HEAt) than  $[SP- |SP/5|]$  or higher (with "Func" =CoolL) than  $[SP+ |SP/5|]$ .

= 4 - if it's desired to activate the FAST autotuning automatically at the end of programmed Soft-Start cycle or each time the Set Point is changed. The Autotuning will start at the condition that the process value is lower (with "Func" =HEAt) than  $[SP- |SP/5|]$  or higher (with "Func" =CoolL) than  $[SP+ |SP/5|]$ .

= - 1 - if the OSCILLATING autotuning is to be started automatically each time the instrument is turned on.

= - 2 - if the OSCILLATING autotuning is to be started automatically when the instrument is turned on the next time and, once tuning has been completed, the parameter "Auto"=OFF is set automatically.

= - 3 - if OSCILLATING autotuning is started up manually, by selecting par. "tunE" in the main menu or by key "U" correctly programming as "USrb" = tunE.

= - 4 - if OSCILLATING autotuning is to be started automatically each time the Set Point is changed.

*Note : the Autotuning Fast type is particularly rapid and has no effect on the control as it calculates the parameters during the Set Point reaching phase.*

*In order to correctly perform the Autotuning Fast type it's necessary that at the start of the cycle there is a certain difference between the process and the Set Point and for this reason the instrument activates the Autotuning Fast type only when :*

- For "Auto" = 1 or 2: the process value is lower (with "Func" =HEAt) than  $[SP- |SP/2|]$  or higher (with "Func" =CoolL) than  $[SP+ |SP/2|]$ .

- For "Auto" = 3 or 4 : the process value is lower (with "Func" =HEAt) than  $[SP- |SP/5|]$  or higher (with "Func" =CoolL) than  $[SP+ |SP/5|]$ .

*The Autotuning Fast type is not advisable when the Set Point is next to the initial reading or when the measured variable changes irregularly during the tuning cycle (for reasons due to the process the variable goes up or down).*

*In this cases we advice the Autotuning oscillatory type that activates some ON-OFF control cycles permitting the oscillation of the process value around the Se Point value and afterward the control swap to the PID type with those values calculated by the Autotuning.*

6) Exit from the parameter programming.

7) Connect the instrument to the controlled plant.

8) Start up autotuning turning off and on the instrument if "Auto" = 1 or 2, by selecting "tunE" in the main menu (or by correctly programming key "U" ) if "Auto" = 3, or by varying the Set value if "Auto" = 4.

At this point, the Autotuning function is started up and is marked by the turning on of the led TUN.

The regulator starts up a series of operations on the connected system in order to calculate the most suitable PID regulation parameters.

If, at the FAST Auto-tuning start, the condition for the lower or higher process value is not found the display will show "ErAt" and

the instrument will be swapped to normal control conditions according to the previously programmed parameters.

To make the error "ErAt" disappear, press key P.

The autotuning cycle is limited to a maximum of 12 hours.

If the process has not ended in 12 hours the instrument will show "noAt".

Instead, if a probe error should occur, the instrument will interrupt the cycle being carried out.

The values calculated by Autotuning will be memorized automatically by the instrument at the end of the correct completion of the autotuning cycle in the parameters related to PID regulation.

**Note** : The instrument is already programmed in our factory to carry out auto-tuning at every instrument switch on ("Auto" = 1).

To activate the SELF-TUNING function proceed as follows

- 1) Program and activate the desired Set Point.
- 2) Program par. "Cont" =Pid.
- 3) Program par. "Func" according to the process to be controlled through output 1.rEG.
- 4) Program an output as 2.rEG if the instrument controls a dual-action plant
- 5) Program par. "SELF" = YES
- 6) Exit from the parameter programming.
- 7) Connect the instrument to the controlled plant.
- 8) Activate Self-tuning selecting par. "tunE" in the main menu (or by correctly programming key "U").

When the Self-tuning function is active, the led TUN is permanently lit up and all the PID parameters ("Pb", "Int", "dEr", etc.) are no longer visualized.

To stop the Auto-tuning cycle or deactivate the Self-tuning function select one of the control types : "rEG", "OPLO" or "OFF" from the menu "SEL". If the instrument is switched off during Auto-tuning or with the Self-tuning function activated, these functions will remain activated the next time it is switched on.

#### 4.9 - CONTROL POWER LIMITATION

Using this function, it is possible to limit the output control power (separately for both control outputs) within a minimum limit and a maximum limit .

It is only possible to use these limits if the PID control is single or dual action and it may be useful to overcome some mechanical problems of the actuators such as valves that do not open until the output has reached at least 20% and/or are already completely closed when the power has reached 80%.

The PID control of the instrument normally works producing power between 0 and 100 % in the case of single-action PID and -100 (C) and 100 (H) % in the case of dual-action PID.

The function is therefore deactivated by setting "ro1.L" =0 "ro2.L" = 0 and "ro1.H" =100, "ro2.H" = 100.

By setting different values the power is lowered to within the limits set in order to use the actuator's dynamics to the maximum.

The parameters that can be set for this function, contained in the "rEG" block are:

"ro1.L" - minimum power in output from 1.rEG (H)

"ro1.H" - maximum power in output from 1.rEG (H)

"ro2.L" - minimum power in output from 2.rEG (C)

"ro2.H" - maximum power in output from 2.rEG (C)

The limitation is not active under the "OPLO" manual control mode.

#### 4.10 - LIMITATION OF THE CONTROL POWER VARIATION SPEED

This function makes it possible to limit the variation speed of the control power in output (separately for both control outputs).

It is only possible to use this function if the PID control is single or dual action and can be useful for overcoming some problems with the actuators that may need a slow progressive variation in power.

The parameters that can be set for this function, contained in the block "rEG", are:

"OPS1" - variation speed of the output power from 1.rEG (H) expressed in [% / sec].

"OPS2" - variation speed of the output power from 2.rEG (C) expressed in [% / sec].

The limitation function is deactivated by setting the parameters = InF and if "OPLO" is not active in manual control mode.

#### 4.11 - SPLIT RANGE FUNCTION

The use of this function is only possible if the PID control is dual function and can be used to delay or bring forward the intervention of the actuators commanded by the instrument.

Using this function it is therefore possible to optimise the intervention of the two actuators in such a way that their actions do not overlap or so that they overlap so that they obtain the mix of the two actions of the actuators.

Basically, this means setting two power offsets (one for direct action and one for reverse action) that set the beginning of the intervention of the actuator commanded by the output.

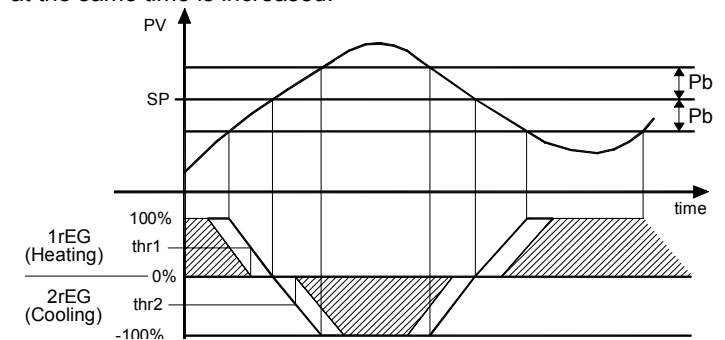
The parameters that can be set for this function contained in the block "rEG", are:

"thr1" : Power threshold at which output 1.rEG begins to operate.

"thr2" : Power threshold at which output 2.rEG begins to operate.

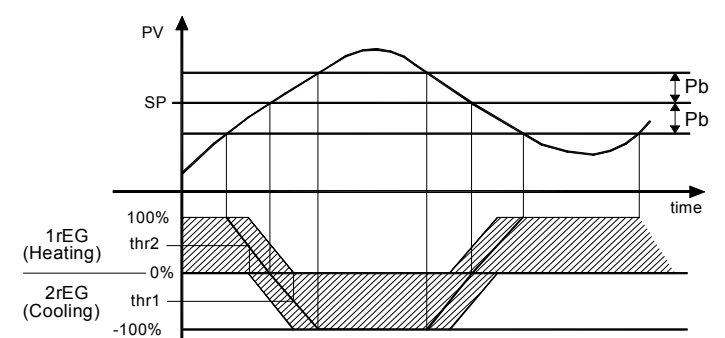
Basically, if one wishes to bring forward the reverse action (1.rEG) and delay the direct action (2.rEG) it is necessary to set positive values on parameter "thr1" and negative values on parameter "thr2".

In this way, the area within which the two outputs are not activated at the same time is increased.

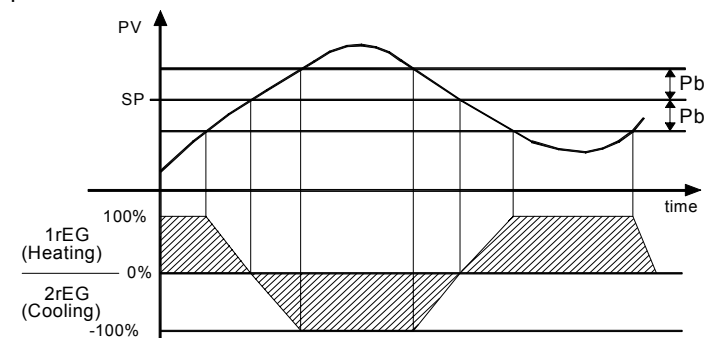


Vice versa if one wishes to extend the reverse action (1.rEG) and bring forward the direct action (2.rEG) it is necessary to set negative values on parameter "thr1" and positive values on parameter "thr2".

In this way, the area within which the two outputs are activated at the same time is increased.



The split range function is deactivated by setting the respective parameters =0.



**Note** : In order to simplify the explanation of the example graphs a dual action control that is only proportional (and therefore with "dEr" and "Int" = OFF) with "Prat" = 1.0 and "rS" = 0.0 was considered.



#### 4.12 - REACHING OF THE SET POINT AT CONTROLLED SPEED AND AUTOMATIC SWITCHING BETWEEN TWO SET POINTS (RAMPS AND DWELL TIME)

All the parameters referring to the ramps functioning are contained in the group "rEG".

It is possible to reach the set point in a predetermined time (in any case longer than the time the plant would naturally need). This could be useful in those processes (heating or chemical treatments, etc.) where the set point has to be reached gradually, in a predetermined time.

Once the instrument has reached the first Set Point (SP1) it is possible to have automatic switching to the second Set Point (SP2) after a set time, thus obtaining a simple automatic process cycle.

These functions are available for all the programmable controls (PID single and double action, ON/OFF and Neutral Zone ON/OFF).

The function is determined by the following parameters :

"SLor" - Gradient of first ramp expressed in unit/minute

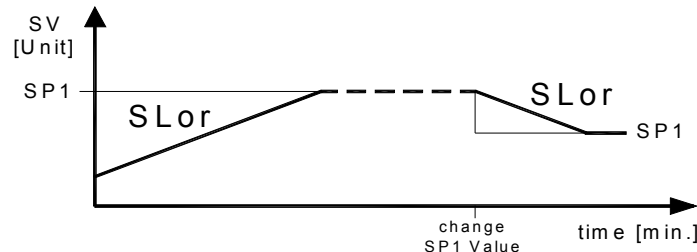
"SLoF" - Gradient of second ramp expressed in unit/minute.

"dur.t" - Dwell time of Set Point "SP1" before automatic switching to Set Point "SP2" (expressed in hrs. and min.).

The functions are deactivated when the relative parameters are = InF.

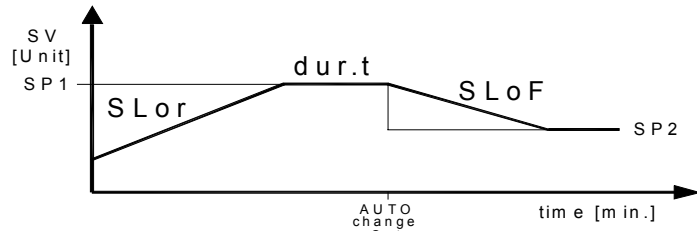
If is desired only one ramp (ex. to reach "SP1") it is enough to program on the par. "SLor" the desired value.

The ramp "SLor" it will always active at power on and when the Active Set Point value is changed.



If it is desired an automatic cycle from the power on instead it is necessary to program the par. "nSP" = 2, to program the two Set Point values "SP1" and "SP2" and naturally to program the par. "SLor", "dur.t" and "SLoF" with the desired values.

In this case at the end of the cycle all the ramps won't be more active.



Examples with starts from values lower than SP and with decreasing of SP.

**Note:** In case of PID control, if Auto-tuning is desired whilst the ramp function is active, this will not be carried out until the tuning cycle has been completed. It is therefore recommended that Auto-tuning be started avoiding activating the ramp function and, once the tuning is finished, deactivate Auto-tuning ("Auto" = OFF), program the desired ramp and, if it automatic tuning is desired, enable the Self-tuning function.

#### 4.13 - SOFT-START FUNCTION

All the parameters referring to the Soft -Start functioning are contained in the group "rEG".

The Soft-Start function only works through PID control and allows the limitation of control power when the instrument is switched on, for a programmable period of time.

This is useful when the actuator, driven by the instrument, may be damaged excess power supplied when the application is not yet in the normal rating. (ex. for certain heating elements).

The function depends on the following parameters :

"St.P" - Soft-Start power

"SSt" - Soft-Start time (expressed in hh.mm)

"HSEt" - End Soft Start cycle threshold

If both parameters are programmed with values other than OFF, when switched on the instrument gives an output power as programmed on par. "St.P" for the time programmed on par. "SSt" or when is reached the absolute value programmed at par. "HSEt". Practically, the instrument works in manual condition and switches to automatic control at the elapsing of time "SSt" or when is reached the absolute value programmed at par. "HSEt".

To disable the Soft-Start function simply program par. "SSt" = OFF.

Whenever, a measurement errors occurs during the Soft-Start execution, the function is interrupted and the instrument gives an output power as programmed on par. "OPE".

If the measurement is restored, the Soft-Start is still deactivated.

If it's desired to activate the Autotuning with Soft-Start set par. "Auto"=4 / -4

The Autotuning will start automatically at the end of programmed Soft-Start cycle (see. par. 4.8).

#### 4.14 - ALARMS OUTPUTS FUNCTIONS (AL1, AL2, AL3, AL4)

The alarms depend on the process value (AL1, AL2, AL3, AL4) and before setting them to work, it is necessary to know which output the alarm has to correspond to.

First of all it is necessary to configure in the groups of parameters "iOut", the parameters relative to the outputs required as alarm ("O1F", "O2F", "O3F", "O4F", "O5F", "O6F") programming the parameter relating to the desired output as follows :

= **ALno** if the alarm output has to be ON when the alarm is active, while it is OFF when the alarm is not active

= **ALnc** if the alarm output has to be ON when the alarm is not active, while it is OFF when the alarm is active

**Note:** In all the examples that follow is made reference to the alarm AL1. Naturally the operation of the other alarms results analogous.

Have now access at the group "iAL1", and program on par.

"OAL1", to which output the alarm signal has to be sent.

The alarm functioning is instead defined by parameters :

"AL1t" - ALARM TYPE

"Ab1" - ALARM CONFIGURATION

"AL1" - ALARM THRESHOLD

"AL1L" - LOW ALARM THRESHOLD (for band alarm) OR MINIMUM SET OF AL1 ALARM THRESHOLD (for low or high alarm)

"AL1H" - HIGH ALARM THRESHOLD (for band alarm) OR MAXIMUM SET OF AL1 ALARM THRESHOLD (for low or high alarm)

"HAL1" - ALARM HYSTERESIS

"AL1d" - ALARM ACTIVATION DELAY (in sec.)

"AL1i" - ALARM BEHAVIOUR IN THE EVENT OF MEASUREMENT ERROR

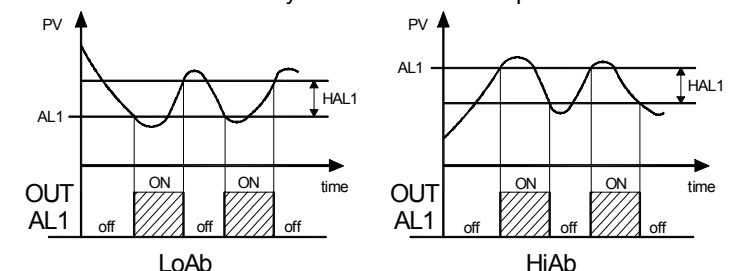
"AL1t" - **ALARM TYPE** : the alarm output can behave in six different ways.

**LoAb** = ABSOLUTE LOW ALARM: The alarm is activated when the process value goes below the alarm threshold set on parameter "AL1" and will be deactivated when it goes above the value [AL1+HAL1].

With this mode is possible to program the minimum and the maximum set of "AL1" by "AL1L" and "AL1H" parameters.

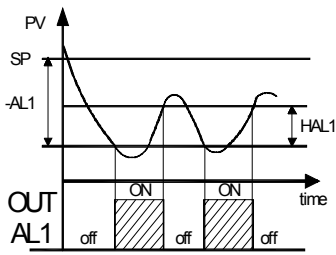
**HiAb** = ABSOLUTE HIGH ALARM: The alarm is activated when the process value goes higher than the alarm threshold set on parameter "AL1" and will be deactivated when it goes below the value [AL1 - HAL1].

With this mode is possible to program the minimum and the maximum set of "AL1" by "AL1L" and "AL1H" parameters.

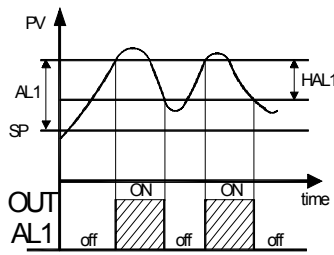


**LodE = DEVIATION LOW ALARM:** The alarm is activated when the process value goes below the value  $[SP1 + AL1]$  and will be deactivated when it goes above the value  $[SP1 + AL1 + HAL1]$ . With this mode is possible to program the minimum and the maximum set of "AL1" by "AL1L" and "AL1H" parameters.

**HidE = DEVIATION HIGH ALARM:** The alarm is activated when the process value goes above the value  $[SP1 + AL1]$  and will be deactivated when it goes below the value  $[SP1 + AL1 - HAL1]$ . With this mode is possible to program the minimum and the maximum set of "AL1" by "AL1L" and "AL1H" parameters.



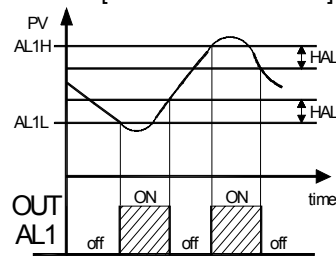
LodE



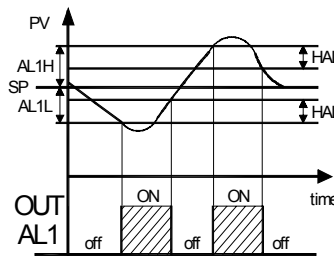
HidE

**LHAb = ABSOLUTE BAND ALARM:** The alarm is activated when the process value goes under the alarm threshold set on parameter "AL1L" or goes higher than the alarm threshold set on parameter "AL1H" and will be deactivated when it goes below the value  $[AL1H - HAL1]$  or when it goes above the value  $[AL1L + HAL1]$ .

**LHdE = DEVIATION BAND ALARM:** The alarm is activated when the process value goes below the value  $[SP1 + AL1L]$  or goes above than the value  $[SP1 + AL1H]$  and will be deactivated when it goes below the value  $[SP1 + AL1H - HAL1]$  or when it goes above the value  $[SP1 + AL1L + HAL1]$ .



LHAb



LHdE

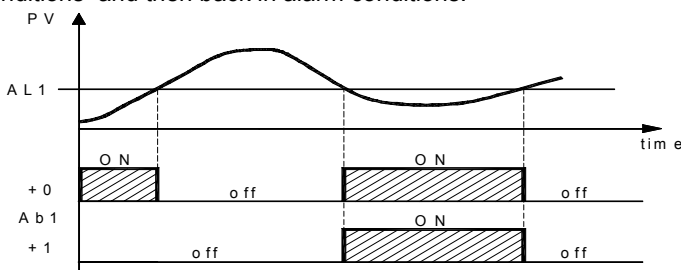
**"Ab1" - ALARM CONFIGURATION:** This parameter can assume a value between 0 and 31.

The number to be set, which will correspond to the function desired, is obtained by adding the values reported in the following descriptions :

**ALARM BEHAVIOUR AT SWITCH ON:** the alarm output may behave in two different ways, depending on the value added to par. "Ab1".

+0 = NORMAL BEHAVIOUR: The alarm is always activated when there are alarm conditions.

+1 = ALARM NOT ACTIVATED AT SWITCH ON: If, when switched on, the instrument is in alarm condition, the alarm is not activated. It will be activated only when the process value is in non-alarm conditions and then back in alarm conditions.



exemple with absolute low alarm

**ALARM DELAY:** the alarm output may behave in two different ways depending on the value added to par. "Ab1".

+0 = ALARM NOT DELAYED: The alarm is immediately activated when the alarm condition occurs.

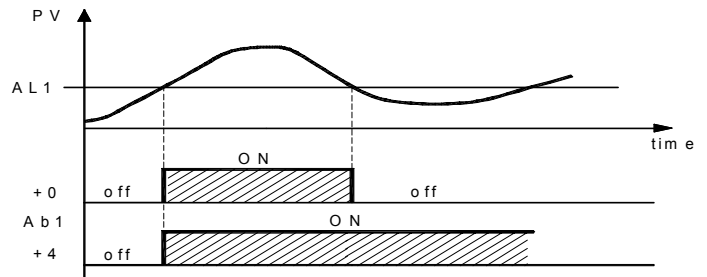
+2 = ALARM DELAYED: When the alarm condition occurs, delay counting begins, as programmed on par. "AL1d" (expressed in

sec.) and the alarm will be activated only after the elapsing of that time.

**ALARM LATCH:** : the alarm output may behave in two different ways depending on the value added to par. "Ab1".

+ 0 = ALARM NOT LATCHED: The alarm remains active in alarm conditions only.

+ 4 = ALARM LATCHED: The alarm is active in alarm conditions and remains active even when these conditions no longer exist, until the correctly programmed key "U", ("USrb)=Aac) has been pushed.



exemple with absolute high alarm

**ALARM ACKNOWLEDGEMENT:** : the alarm output may behave in two different ways depending on the value added to par. "Ab1".

+ 0 = ALARM NOT ACKNOWLEDGED: The alarm always remains active in alarm conditions.

+ 8 = ALARM ACKNOWLEDGED: The alarm is active in alarm conditions and can be deactivated by key "U" if properly programmed ("USrb)=ASi), and also if alarm conditions still exist.

**ALARM BEHAVIOUR AT SET POINT CHANGE (DEVIATION ALARMS ONLY):** the alarm output may behave in two different ways, depending on the value added to par. "Ab1".

+0 = NORMAL BEHAVIOUR: The alarm is always activated when there are alarm conditions.

+16 = ALARM NOT ACTIVATED AT SET POINT CHANGE: If, when Set Point change, the instrument is in alarm condition, the alarm is not activated. It will be activated only when the process value is in non-alarm conditions and then back in alarm conditions.

**"AL1i" - ALARM ACTIVATION IN CASE OF MEASUREMENT**

**ERROR:** This allows one to establish how the alarm have behave in the event of a measurement error (yES=alarm active; no=alarm deactivated).

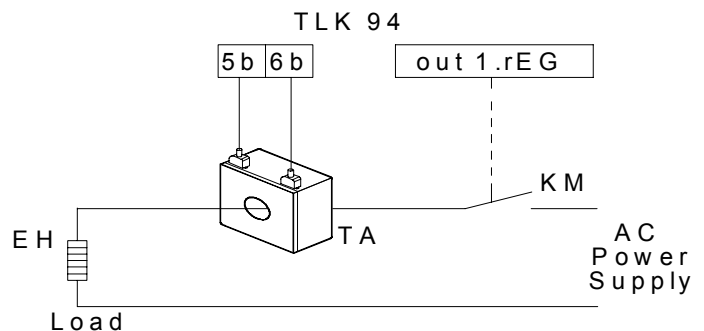
#### 4.15 - HEATER BREAK ALARM FUNCTION (HB)

All the parameters referring to the Heater Break alarm function are contained in the group "Hb".

The Heater Break alarm function (Breakage of the heating element) is only available when the instrument is equipped with the input (TAHB) to measure the current and if use a digital output to control the load.

This input accepts signals coming from current transformers (TA) with max. output 50 mA.

The first operation to be carried out in order to obtain a correct current measurement, is to set the current that the instrument has to measure at the end of scale of the input TA (50 mA) on par. "IFS".



It is necessary to establish to which output the alarm has to correspond.

To do this it is necessary to set the parameter relative to the output to be used ("O1F", "O2F", "O3F", "O4F", "O5F", "O6F") in the groups "Out", programming the parameter as :

= **ALno** if the alarm output has to be active when the alarm is active while it is deactivated when the alarm is not active.

= **ALnc** if the alarm output has to be active when the alarm is not active while it is deactivated when the alarm is active.

Enter group "**HB**" and program which output the alarm signal has to address on parameter "**OHB**".

The functioning mode of the alarm is instead defined on par. "**HbF**" which can be set in the following way :

= **1** : The alarm is active when, with output 1rEG active, the current measured by the input TAHB is lower than the value programmed on par. "**IHbL**".

= **2** : The alarm is active when, with output 1rEG not active, the current measured by the input TAHB is higher than the value programmed on par. "**IHbH**".

= **3** : The alarm is active when, with output 1rEG active, the current measured by the input TAHB is lower than the value programmed on par. "**IHbL**" or with output 1rEG not active, the current measured by the input TAHB is higher than the value programmed on par. "**IHbH**".

= **4** : The alarm is active when the current measured by the input TAHB is lower than the value programmed on par. "**IHbL**" or the measured current is higher than the value programmed on par. "**IHbH**", independently by the state of the output 1.rEG.

On par. "**IHbL**" the value of the current normally absorbed by the load when output 1.rEG is active has to be set, while on par. "**IHbH**" the current normally absorbed by the load when output 1.rEG is not active.

The programming of these parameters has to be carried out while also considering the fluctuations of the net voltage to avoid undesired alarms.

With regards to the hysteresis of the HB alarm, this is automatically calculated by the instrument as 1% of the programmed thresholds.

During functioning it is possible to visualize the current measured by the input TAHB when output 1rEG is activated, by pushing the "DOWN" key and the current measured when output 1.rEG is deactivated, by pushing the "DOWN" and "U" keys at the same time.

To exclude the Heater Break alarm it is enough to set "**OHB**" = OFF.

**Note** : The HB current measurement is valid if the output 1rEG is activated (or deactivated) for 264 ms. at least.

This means that, if the cycle time ("**tcr1**") is = 1 sec, the HB alarm is able to intervene only when the output power is higher than 26,4%.

#### 4.16 - LOOP BREAK ALARM FUNCTION

All the parameters referring to the Loop Break alarm function are contained in the group "**LbA**".

The Loop Break alarm is available on all the instruments, which intervenes when, for any reason (short-circuit of a thermocouple, thermocouple inversion, load interruption), the loop control is interrupted.

First of all, it is necessary to establish to which output the alarm has to correspond.

To do this it is necessary to set the parameter relative to the output to be used ("**O1F**", "**O2F**", "**O3F**", "**O4F**", "**O5F**", "**O6F**") in the groups "**Out**", programming the parameter as :

= **ALno** if the alarm output has to be ON when the alarm is active while it is OFF when the alarm is not active.

= **ALnc** if the alarm output has to be ON when the alarm is not active while it is OFF when the alarm is active.

Enter group "**LbA**" and program which output the alarm signal has to be addressed to on par. "**OLbA**".

The Loop Break alarm is activated if the output power remains at the 100% of the value for the time programmed on par. "**LbAt**" (expressed in sec.).

To avoid false alarms, the value of this parameter has to be set considering the time the plant takes to reach the Set point when the measured value is a long distance from it (for example at the plant start-up).

On alarm intervention, the instrument visualizes the message "**LbA**" and behaves as in the case of a measurement error giving a power output as programmed on par. "**OPE**" (programmable in the group "**InP**").

To restore normal functioning after the alarm, select the control mode "OFF" and then re-program the automatic control ("rEG") after checking the correct functioning of probe and drive.

To exclude the Loop Break alarm, set "**OLbA**" = OFF.

#### 4.17 - FUNCTIONING OF KEY "U"

The function of key "U" can be set through par. "**USrb**" contained in the group "**PAn**".

The parameter can be programmed as :

= **noF** : no function

= **tunE** : Pushing the key for 1 sec. at least, it is possible to activate/deactivate Auto-tuning or Self-tuning

= **OPLO** : Pushing the key for 1 sec. at least, it is possible to swap from automatic control (rEG) to manual one (OPLO) and vice versa.

= **Aac** : Pushing the key for 1 sec. at least, it is possible to acknowledge the alarm. (see par. 4.14)

= **ASi** : Pushing the key for 1 sec. at least, it is possible to acknowledge an active alarm (see par. 4.14)

= **CHSP** : Pushing the key for 1 sec. at least, it is possible to select one of the 4 pre-programmed Set Points on rotation.

= **OFF** : Pushing the key for 1 sec. at least, it is possible to swap from automatic control (rEG) to OFF control (OFF) and vice versa.

#### 4.18 - DIGITAL INPUT

The instrument is equipped with 2 digital inputs whose function can be set by the parameter "**diF**" contained in the group "**InP**".

The parameter can be programmed as:

= **noF** : the input does not carry out any function

= **AaC** : By closing the contact connected to the digital input, it is possible to reset a memorised alarm (see par. 4.14)

= **ASi**: By closing the contact connected to the digital input, it is possible to silence an active alarm (see par. 4.14)

= **HoLd**: By closing the contact connected to the digital input the measurement taken at that moment is blocked (N.B.: not the reading on the display, therefore the indication may stabilise itself with a delay that is proportional to the measuring filter). With the hold function turned on, the instrument carries out control according to the memorised measurement. By opening the contact, the instrument starts normal measurement acquisition once more.

= **OFF** : When the instrument is in "rEG" status, by closing the contact connected to the digital input, the instrument is placed in OFF status. By reopening the contact, the instrument returns to the automatic control status "rEG".

= **CHSP** : by closing and reopening the contact connected to the digital input, it is possible to select one of the 4 memorised set points in rotation.

= **SP1.4** : The following combination of the connected contacts to the two digital entries allows the activation of one of the 4 memorized set points.

DIG IN1	DIG IN2	SET POINT
off	off	SP1
on	off	SP2
off	on	SP3
on	on	SP4

The function can be activated using "**nSP**" = 4 , also, when it is activated, it disables the selection of the active set by the parameter "**SPAt**" and by the key U.

= **HE.Co** : by closing the contact connected to the digital input it is possible to select as active the set point SP2 in "Cool" mode. Reopening the contact is select as active the set point SP1 in "HEAT" mode. This function is possible only when "**nSP**" = 2.

#### 4.19 - RS 485 SERIAL INTERFACE

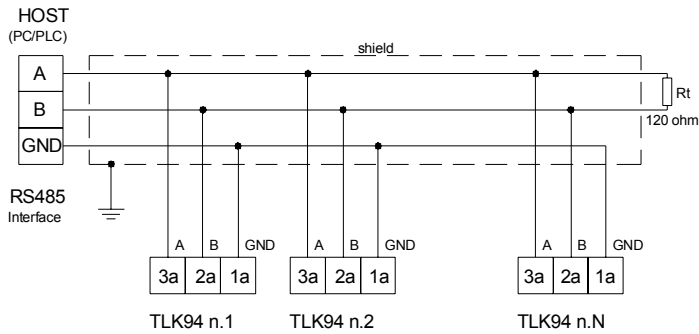
The instrument can be equipped with a RS 485 serial communication interface, by means of which it is possible to connect the regulator with a net to which other instruments (regulators of PLC) are connected, all depending typically on a personal computer used as plant supervisor. Using a personal computer it is possible to acquire all the function information and to program all the instrument's configuration parameters. The software protocol adopted for TLK94 is a MODBUS RTU type,

widely used in several PLC and supervision programs available on the market (protocol manual is available on request).

The interface circuit allows the connection of up to 32 instruments on the same line.

To maintain the line in rest conditions a 120 Ohm resistance (Rt) must be connected to the end of the line.

The instrument is equipped with two terminals called A and B which have to be connected with all the namesake terminals of the net. For the wiring operation it is advisable to adopt a screened cable wired as in the drawing.



If the instrument is equipped with a serial interface, the parameters to be programmed are the following, all present in the parameters group "SEr" :

**"Add"** : Address of the station. Set a different number for each station, from 1 to 255.

**"baud"** : Transmission speed (baud-rate), programmable from 1200 to 38400 baud. All the stations have to have the same transmission speed.

**"PACS"** : Programming access. If programmed as "LoCL" this means that the instrument is only programmable from the keyboard, if programmed as "LorE" it is programmable both from the keyboards and serial line.

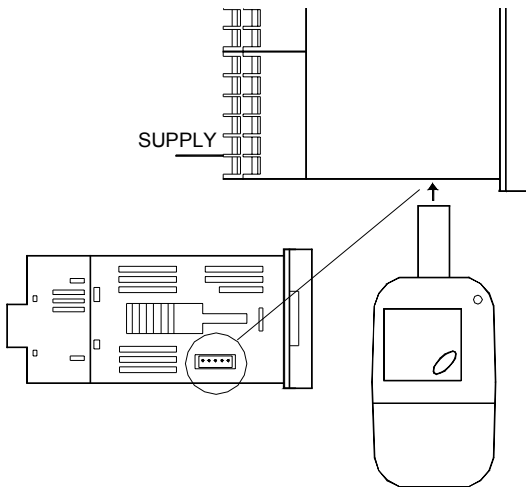
If an attempt is made to enter the programming from the keyboard whilst a communication through the serial port is in progress the instrument will visualise **"buSy"** to indicate the busy state.

#### 4.20 - PARAMETERS CONFIGURATION BY "A01"

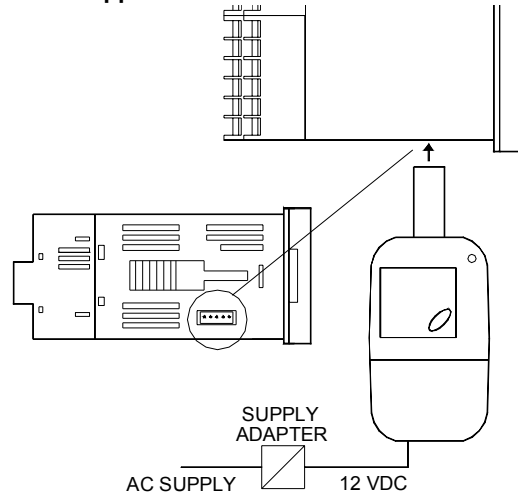
The instrument is equipped with a connector that allows the transfer from and toward the instrument of the functioning parameters through the device **TECNOLOGIC A01** with **5 poles** connector.

This device it's mainly useable for the serial programming of the instruments which need to have the same parameters configuration or to keep a copy of the programming of an instrument and allow its rapid retransmission. To use the device A01 it's necessary that the device or instrument are being supplied.

#### Instrument supplied and device not supplied



#### Instrument supplied from the device



**P.A.:** For the instruments equipped with RS485 serial communication, it's indispensable that the parameter "PACS" is programmed = LorE.

For additional info, please have a look at the A01 instruction manual.

### 5 - PROGRAMMABLE PARAMETERS TABLE

Here following are described all the parameters available on the instrument. Some of them could be not present or because they are depending on the type of instrument or because they are automatically disabled as unnecessary.

#### Group "SP" (parameters relative to the Set Point)

Par.	Description	Range	Def.	Note
1	nSP	Numero Set point programmabili	1 ÷ 4	1
2	SPAt	Set point Attivo	1 ÷ nSP	1
3	SP1	Set Point 1	SPLL ÷ SPHL	0
4	SP2	Set Point 2	SPLL ÷ SPHL	0
5	SP3	Set Point 3	SPLL ÷ SPHL	0
6	SP4	Set Point 4	SPLL ÷ SPHL	0
7	SPLL	Set Point minimo	-1999 ÷ SPHL	-1999
8	SPHL	Set Point massimo	SPLL ÷ 9999	9999

#### Gruppo "InP" (parametri relativi agli ingressi)

Par.	Descrizione	Range	Def.	Note
9	HCFG	Input type	tc / rtd / I / UoLt / SEr	tc
10	SEnS	Probe type: J=thermocoupled J CrAL=thermocoupled K S=thermocoupled S b=thermocoupled B E=thermocoupled E n=thermocoupled N r=thermocoupled R t=thermocoupled T C=thermocoupled C Ir.J=IR Sen. IRS J Ir.CA=IR Sen. IRS K Pt1=thermores. Pt100 0.50= 0..50 mV 0.60= 0..60 mV 12.60= 12..60 mV Ptc= PTC KTY81-121 ntc= NTC 103-AT2 0.20= 0..20 mA 4.20= 4..20 mA 0.1= 0..1 V 0.5=0..5 V 1.5= 1..5 V 0.10= 0..10 V 2.10= 2..10 V	tc : J/ CrAL/ S/ b/ E/ L/ n/ r/ t/ C/ Ir.J / Ir.CA rtd : Pt1 / Ptc / ntc I : 0.20 / 4.20 UoLt : 0.50 / 0.60 / 12.60 / 0.5 / 1.5 / 0.10 / 2.10	J

11	<b>rEFL</b>	Reflection coefficient for IRS sensors	0.10 ÷ 1.00	1.00	
12	<b>SSC</b>	Low scale limit in case of input with V / I signals	-1999 ÷ FSC	0	
13	<b>FSC</b>	High scale limit in case of input with V / I signals	SSC ÷ 9999	0	
14	<b>dP</b>	Number of decimal figures	$\frac{tc/rtd}{0 / 1}$ $\frac{UoLt / I / SEr}{0 \div 3}$	0	
15	<b>Unit</b>	Temperature unit of measurement	$\frac{tc/rtd}{^{\circ}C / ^{\circ}F}$	^{\circ}C	
16	<b>FIL</b>	Input digital filter	OFF ÷ 20.0 sec.	0.2	
17	<b>OFSt</b>	Measuring Offset	-1999 ÷ 9999	0	
18	<b>rot</b>	Rotation of the measuring straight line	0.000 ÷ 2.000	1.000	
19	<b>InE</b>	"OPE" functioning in case of measuring error OUr = Over and under-range Or = Over-range only Ur = Under-range only	OUr / Or / Ur	OUr	
20	<b>OPE</b>	Output power in case of measuring error	-100 ÷ 100 %	0	
21	<b>diF</b>	Digital input s function: noF = No Function Aac= Reset Alarms latch ASi= Acknowledged Alarms HoLd = Hold Measure OFF= Control OFF CHSP = Sel. Set Point SP1.4 = Sel. SP1,2,3,4 HE.Co = Sel. Heat-SP1/Cool -SP2	noF / AaC / ASi / HoLd / OFF / CHSP / SP1.4 / HE.Co	noF	

**Group " 1 Out" (parameters relative to the outputs)**

Par.	Description	Range	Def.	Note	
22	<b>O1F</b>	Func. digital output 1: 1.rEG= Control output 1 2.rEG= Control output 2 ALno= Alarm Out normally opened ALnc= Alarm Out normally closed On = Output on OFF= Output off	1.rEG / 2.rEG ALno / ALnc On / OFF	1.rEG	
23	<b>Aor1</b>	Beginning of output 1 scale if analogical type	0 / no_0	0	
24	<b>Ao1F</b>	Functioning of output 1 if analogue type: 1.rEG= Control output 1 2.rEG= Control output 2 r.inP= measur. retrans. r.Err=error [SP-PV] retr. r.SP=Set Point retr. r.SEr=out by ser. com. OFF=no funct.	1.rEG / 2.rEG r.inP / r.Err r.SP / r.SEr OFF	1.rEG	
25	<b>Ao1L</b>	Minimum reference for analogical output 1 for signal retransmission	-1999 ÷ Ao1H	0	
26	<b>Ao1H</b>	Maximum reference for analogical output 1 for signal retransmission	Ao1L ÷ 9999	0	
27	<b>O2F</b>	Functioning of output 2 if digital type: see "O1F"	1.rEG / 2.rEG ALno / ALnc On / OFF	OFF	
28	<b>Aor2</b>	Beginning of output 2 scale if analogical type	0 / no_0	0	

29	<b>Ao2F</b>	Functioning of output 2 if analogue type: see "Ao1F"	1.rEG / 2.rEG r.inP / r.Err r.SP / r.SEr OFF	OFF	
30	<b>Ao2L</b>	Minimum reference for analogical output 2 for signal retransmission	-1999 ÷ Ao2H	0	
31	<b>Ao2H</b>	Maximum reference for analogical output 2 for signal retransmission	Ao2L ÷ 9999	0	
32	<b>O3F</b>	Functioning of output 3: see "O1F"	1.rEG / 2.rEG ALno / ALnc On / OFF	OFF	
33	<b>O4F</b>	Functioning of output 4: see "O1F"	1.rEG / 2.rEG ALno / ALnc On / OFF	OFF	
34	<b>O5F</b>	Functioning of output 5: see "O1F"	1.rEG / 2.rEG ALno / ALnc On / OFF	OFF	
35	<b>O6F</b>	Functioning of output 6: see "O1F"	1.rEG / 2.rEG ALno / ALnc On / OFF	On	

**Group " 1 AL1" (parameters relative to alarm AL1)**

Par.	Description	Range	Def.	Note	
36	<b>OAL1</b>	Output where alarm AL1 is addressed	Out1 / Out2 Out3 / Out4 / Out5 / Out6 / OFF	Out2	
37	<b>AL1t</b>	Alarm AL1 type: LoAb= Absolute Low HiAb= Absolute High LHAb= Absolute Band LodE= Deviation Low HidE= Deviation High LHdE= Deviation Band	LoAb / HiAb LHAb / LodE HidE / LHdE	LoAb	
38	<b>Ab1</b>	Alarm AL1 functioning: +1 = not activated at power on +2 = delayed +4 = latch +8 = acknowledged	0 ÷ 15	0	
39	<b>AL1</b>	Alarm AL1 threshold	AL1L ÷ AL1H	0	
40	<b>AL1L</b>	Low threshold band alarm AL1 or Minimum set alarm AL1 for high or low alarm	-1999 ÷ AL1H	-1999	
41	<b>AL1H</b>	High threshold band alarm AL1 or Maximum set alarm AL1 for high or low alarm	AL1L ÷ 9999	9999	
42	<b>HAL1</b>	Alarm AL1 hysteresis	OFF ÷ 9999	1	
43	<b>AL1d</b>	Activation delay of alarm AL1	OFF ÷ 9999 sec.	OFF	
44	<b>AL1i</b>	Alarm AL1 activation in case of measuring error	no / yES	no	

**Group " 1 AL2" (parameters relative to alarm AL2)**

Par.	Description	Range	Def.	Note	
45	<b>OAL2</b>	Output where alarm AL2 is addressed	Out1 / Out2 Out3 / Out4 / Out5 / Out6 / OFF	OFF	
46	<b>AL2t</b>	Alarm AL2 type: see "AL1t"	LoAb / HiAb LHAb / LodE HidE / LHdE	LoAb	
47	<b>Ab2</b>	Alarm AL2 functioning: see "Ab1"	0 ÷ 15	0	
48	<b>AL2</b>	Alarm AL2 threshold	AL2L ÷ AL2H	0	
49	<b>AL2L</b>	Low threshold band alarm AL2 or Minimum set alarm AL2 for high or low alarm	-1999 ÷ AL2H	-1999	

50	<b>AL2H</b>	High threshold band alarm AL2 or Maximum set alarm AL2 for high or low alarm	AL2L ÷ 9999	9999	
51	<b>HAL2</b>	Alarm AL2 hysteresis	OFF ÷ 9999	1	
52	<b>AL2d</b>	Activation delay of alarm AL2	OFF ÷ 9999 sec.	OFF	
53	<b>AL2i</b>	Alarm AL2 activation in case of measuring error	no / yES	no	

**Group "AL3"** (parameters relative to alarm AL3)

Par.	Description	Range	Def.	Note
54	<b>OAL3</b>	Output where alarm AL3 is addressed	Out1 / Out2 / Out3 / Out4 / Out5 / Out6 / OFF	OFF
55	<b>AL3t</b>	Alarm AL3 type: see "AL1t"	LoAb / HiAb / LHAb / LodE / HidE / LHdE	LoAb
56	<b>Ab3</b>	Alarm AL3 functioning: see "Ab1"	0 ÷ 15	0
57	<b>AL3</b>	Alarm AL3 threshold	AL3L ÷ AL3H	0
58	<b>AL3L</b>	Low threshold band alarm AL3 or Minimum set alarm AL3 for high or low alarm	-1999 ÷ AL3H	-1999
59	<b>AL3H</b>	High threshold band alarm AL3 or Maximum set alarm AL3 for high or low alarm	AL3L ÷ 9999	9999
60	<b>HAL3</b>	Alarm AL3 hysteresis	OFF ÷ 9999	1
61	<b>AL3d</b>	Activation delay of alarm AL3	OFF ÷ 9999 sec.	OFF
62	<b>AL3i</b>	Alarm AL3 activation in case of measuring error	no / yES	no

**Group "AL4"** (parameters relative to alarm AL4)

Par.	Description	Range	Def.	Note
63	<b>OAL4</b>	Output where alarm AL4 is addressed	Out1 / Out2 / Out3 / Out4 / Out5 / Out6 / OFF	OFF
64	<b>AL4t</b>	Alarm AL4 type: see "AL1t"	LoAb / HiAb / LHAb / LodE / HidE / LHdE	LoAb
65	<b>Ab4</b>	Alarm AL4 functioning: see "Ab1"	0 ÷ 15	0
66	<b>AL4</b>	Alarm AL4 threshold	AL4L ÷ AL4H	0
67	<b>AL4L</b>	Low threshold band alarm AL4 or Minimum set alarm AL4 for high or low alarm	-1999 ÷ AL4H	-1999
68	<b>AL4H</b>	High threshold band alarm AL4 or Maximum set alarm AL4 for high or low alarm	AL4L ÷ 9999	9999
69	<b>HAL4</b>	Alarm AL4 hysteresis	OFF ÷ 9999	1
70	<b>AL4d</b>	Activation delay of alarm AL4	OFF ÷ 9999 sec.	OFF
71	<b>AL4i</b>	Alarm AL4 activation in case of measuring error	no / yES	no

**Group "LbA"** (parameters relative to Loop Break Alarm)

Par.	Description	Range	Def.	Note
72	<b>OLbA</b>	Output where alarm LbA is addressed	Out1 / Out2 / Out3 / Out4 / Out5 / Out6 / OFF	OFF
73	<b>LbAt</b>	Time necessary to activate alarm LbA	OFF ÷ 9999 sec.	OFF

**Group "Hb"** (parameters relative to Heater Break Alarm)

Par.	Description	Range	Def.	Note
74	<b>OHb</b>	Output where alarm HB is addressed	Out1 / Out2 / Out3 / Out4 /	OFF

			Out5 / Out6 / OFF	
75	<b>IFS</b>	High scale limit for input TA HB	0.0 ÷ 100.0	100.0
76	<b>HbF</b>	HB Alarm function: 1= Min. 1.rEG on 2=Max. 1.rEG off 3= Min. 1.rEG on and Max. 1.rEG off 4= Max and Min.	1 / 2 / 3 / 4	1
77	<b>IHbL</b>	Low alarm HB threshold (with Out 1.rEG ON)	0.0 ÷ IFS	0.0
78	<b>IHbH</b>	High alarm HB threshold (with Out 1.rEG OFF)	IHbL ÷ IFS	100.0

**Group "rEG"** (parameters relative to control)

Par.	Description	Range	Def.	Note
79	<b>Cont</b>	Control type: Pid= PID On.FA= ON/OFF asym. On.FS= ON/OFF sym. nr= Neutral Zone 3Pt= PID mot. act.	Pid / On.FA / On.FS / nr / 3 Pt	Pid
80	<b>Func</b>	Functioning mode output 1.rEG	HEAT / Cool	HEAT
81	<b>HSEt</b>	Hysteresis of ON/OFF control (or end Soft Start cycle threshold)	0 ÷ 9999	1
82	<b>Auto</b>	Autotuning enable FAST (positive values), OSCILLATING (negative values) OFF = Not active 1 = Start each power on 2= Start at first power on 3= Start manually 4= Start after Soft Start or Set change	-4 / -3 / -2 / -1 / 0 / 1 / 2 / 3 / 4	1
83	<b>SELF</b>	Selftuning enable	no / yES	no
84	<b>Pb</b>	Proportional band	0 ÷ 9999	50
85	<b>Int</b>	Integral time	OFF ÷ 9999 sec.	200
86	<b>dEr</b>	Derivative time	OFF ÷ 9999 sec.	50
87	<b>FuOc</b>	Fuzzy overshoot control	0.00 ÷ 2.00	0.5
88	<b>tcr1</b>	Cycle time of output 1.rEG	0.1 ÷ 130.0 sec.	20.0
89	<b>Prat</b>	Power ratio 2rEG/1rEG	0.01 ÷ 99.99	1.00
90	<b>tcr2</b>	Cycle time of 2.rEG	0.1 ÷ 130.0 sec.	10.0
91	<b>rS</b>	Manual reset	-100.0 ÷ 100.0 %	0.0
92	<b>tcor</b>	Time for motorised actuator run	4 ÷ 1000 sec.	4
93	<b>SHrl</b>	Minimum value for motorised actuator control	0.0 ÷ 10.0 %	0.0
94	<b>PoSI</b>	Switch on position for motorised actuator	no / cLoS / oPEn	no
95	<b>SLor</b>	Gradient of first ramp : InF= Ramp not active	0.00 ÷ 99.99 / InF unit/min.	InF
96	<b>dur.t</b>	Duration time between two ramps InF= Time not active	0.00 ÷ 99.59 / InF hrs.-min.	InF
97	<b>SLoF</b>	Gradient of second ramp: InF= Ramp not active	0.00 ÷ 99.99 / InF unit / min.	InF
98	<b>ro1.L</b>	Minimum power in output from 1.rEG	0 ÷ ro1.H %	0

99	<b>ro1.H</b>	Maximum power from output from 1.rEG	$ro1.L \div 100$ %	100	
100	<b>ro2.L</b>	Minimum power in output from 2.rEG	$0 \div ro2.H$ %	0	
101	<b>ro2.H</b>	Maximum power from output from 2r.EG	$ro2.L \div 100$ %	100	
102	<b>OPS1</b>	Power variation speed in output from 1.rEG	$1 \div 50 / \ln F$ % / sec.	$\ln F$	
103	<b>OPS2</b>	Power variation speed in output from 2.rEG	$1 \div 50 / \ln F$ % / sec.	$\ln F$	
104	<b>thr1</b>	Split Range Power threshold of output 1.rEG	$-100 \div 100$ %	0	
105	<b>thr2</b>	Split Range Power threshold of output 2.rEG	$-100 \div 100$ %	0	
106	<b>St.P</b>	Soft-Start power	$-100 \div 100$ %	0	
107	<b>SSt</b>	Soft-Start time	OFF / $0.1 \div 7.59$ / $\ln F$ hrs.-min.	OFF	

**Group "1 PA n"** (parameters relative to the user interface)

Par.	Description	Range	Def.	Note
108	<b>USrb</b> Functioning of key "U" : noF = No Function tune= Start Autotuning or Selftuning OPLO= Manual Control (open loop) Aac= Reset Alarms latch ASi= Aknownledged Alarms OFF= Control OFF	noF / tunE / OPLO / Aac / ASi / CHSP / OFF	noF	
109	<b>diSP</b> Variable visualized on the display SV: OFF= Display OFF Pou= Control Power SP.F= Active Set Value SP.o = Operative Set value AL1 = AL1 threshold AL2 = AL2 threshold AL3 = AL3 threshold AL4 = AL4 threshold	OFF / Pou / SP.F / SP.o / AL1 / AL2 / AL3 / AL4	SP.F	
110	<b>Edit</b> Fast progr. Active Set and alarms: SE= Active Set can be modified while the alarm thresholds cannot be modified AE= Active Set cannot be modified while the alarm thresholds can be modified SAE= Active Set and alarm thresholds can be modified SAnE= Active Set and alarm thresholds cannot be modified	SE / AE / SAE / SAnE	SAE	

**Group "1 SE r"** (parameters relative to the serial communication)

Par.	Description	Range	Def.	Note
111	<b>Add</b> Station address in case of serial communication	0 ... 255	1	
112	<b>baud</b> Transmission speed (Baud rate)	1200 / 2400 / 9600 / 19.2 / 38.4	9600	
113	<b>PACS</b> Access at the programming through serial port: LoCL = No (Local only)	LoCL / LorE	LorE	

		LorE = Yes (Local and remote progr.)			
--	--	--------------------------------------	--	--	--

## 6 - PROBLEMS, MAINTENANCE AND GUARANTEE

### 6.1 - ERROR SIGNALLING

Error	Reason	Action
----	Probe interrupted	Verify the correct connection between probe and instrument and then verify the correct functioning of the probe
uuuu	The measured variable is under the probe's limits (under-range)	
oooo	The measured variable is over the probe's limits (over-range)	
ErAt	FAST Autotuning not possible because the process value is too higher or too lower	Push key "P" in order to make the error message disappear. Once the error has been found, try to repeat the auto-tuning.
noAt	Auto-tuning not finished within 12 hours	Check the functioning of probe and actuator and try to repeat the auto-tuning.
LbA	Loop control interrupted (Loop break alarm)	Check the working of probe and actuator and swap the instrument to (rEG) control
ErEP	Possible anomaly of the EEPROM memory	Push key "P"

In error conditions, the instrument provides an output power as programmed on par "OPE" and activates the desired alarms, if the relative parameters "ALni" have been programmed = yES.

### 6.2 - CLEANING

We recommend cleaning of the instrument with a slightly wet cloth using water and not abrasive cleaners or solvents which may damage the instrument.

### 6.3 - GUARANTEE AND REPAIRS

The instrument is under warranty against manufacturing flaws or faulty material, that are found within 12 months from delivery date.

The guarantee is limited to repairs or to the replacement of the instrument.

The eventual opening of the housing, the violation of the instrument or the improper use and installation of the product will bring about the immediate withdrawal of the warranty's effects.

In the event of a faulty instrument, either within the period of warranty, or further to its expiry, please contact our sales department to obtain authorisation for sending the instrument to our company.

The faulty product must be shipped to TECNOLOGIC with a detailed description of the faults found, without any fees or charge for Tecnologic, except in the event of alternative agreements.

## 7 - TECHNICAL DATA

### 7.1 - ELECTRICAL DATA

Power supply: 24 VAC/VDC, 100... 240 VAC +/- 10%

Frequency AC: 50/60 Hz

Power consumption: 10 VA approx.

Input/s: 1 input for temperature probes: tc J,K,S,B,C,E,L,N, R,T; infrared sensors TECNOLOGIC IRS J and K range A ; RTD Pt 100 IEC; PTC KTY 81-121 (990  $\Omega$  @ 25  $^{\circ}$ C); NTC 103AT-2 (10K $\Omega$  @ 25  $^{\circ}$ C) or mV signals 0...50 mV, 0...60 mV, 12 ...60 mV or normalized signals 0/4...20 mA, 0/1...5 V, 0/2...10 V.

1 input for current transformer (50 mA max.)

2 digital inputs for free voltage contact

Impedance normalized signals input: 0/4...20 mA: 51  $\Omega$ ;

mV and V: 1 M $\Omega$

Output/s: Up to 6 digital outputs. OUT1: SPST-NO (6 A-AC1, 3 A-AC3 / 250 VAC), OUT2,3,4,5: SPST-NO (4 A-AC1, 2 A-AC3 / 250 VAC), or in tension to drive SSR (12 VDC / 20 mA).

Up to 2 analogue outputs: 0/4 ..20 mA (Load Max. 300 Ω) or 0/2 ..10 V.

Auxiliary supply output / OUT6: 12 VDC / 20 mA Max.

Electrical life for relay outputs: 100000 operat.

Installation category: II

Measurement category: I

Protection class against electric shock: Class II for Front panel

Insulation: Reinforced insulation between the low voltage section (supply and relay outputs) and the front panel; Reinforced insulation between the low voltage section (supply and relay outputs) and the extra low voltage section (inputs, analogue outputs, SSR outputs); analogue and SSR outputs optoisolated respect to the input. 50 V insulation between RS485 and extra low voltage section.

## 7.2 - MECHANICAL DATA

Housing: Self-extinguishing plastic, UL 94 V0

Dimensions: 48 x 96 mm DIN, depth 98 mm

Weight: 260 g approx.

Mounting: Flush in panel in 45 x 92 mm hole

Connections: 2 x 1 mm<sup>2</sup> screw terminals block

Degree of front panel protection : IP 54 mounted in panel with gasket

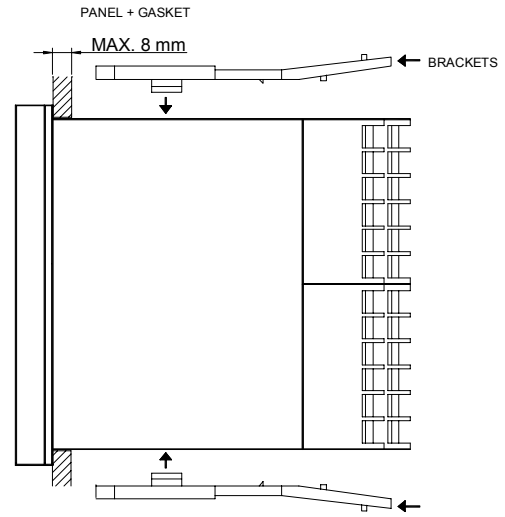
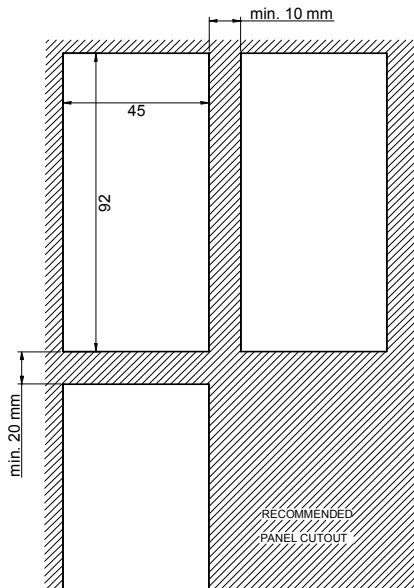
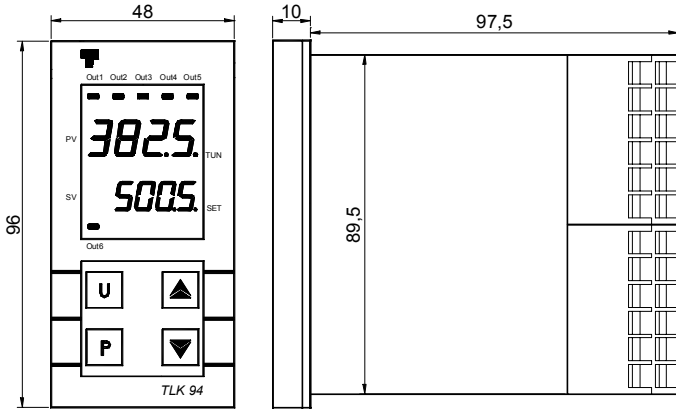
Pollution situation: 2

Operating temperature: 0 ... 50 °C

Operating humidity: 30 ... 95 RH% without condensation

Storage temperature: -10 ... +60 °C

## 7.3 - MECHANICAL DIMENSIONS, PANEL CUT-OUT AND MOUNTING [mm]



## 7.4 - FUNCTIONAL FEATURES

Control: ON/OFF, single and double action PID, PID for motorized actuators with time positioning

Measurement range: according to the used probe (see range table)

Display resolution: according to the probe used 1/0,1/0,01/0,001

Overall accuracy: +/- (0,2 % fs + 1 digit); PTC/NTC: +/- (0,5 % fs + 1 digit)

Max. cold junction compensation drift (in tc) : 0,04 °C/°C with operating temperature 0 ... 50 °C after warm-up of 20 min.

Sampling rate: 130 ms.

Serial Interface : RS485 insulated

Communication protocol: MODBUS RTU (JBUS)

Baud rate: Programmable from 1200 ... 38400 baud

Display: Display: 4 digit, 1 Red (PV) h 10mm and 1 green (SV), h 7,5 mm

Compliance: ECC directive EMC 2004/108/CE (EN 61326), ECC directive LV 2006/95/CE (EN 61010-1).

## 7.5 - MEASURING RANGE TABLE

INPUT	"dP" = 0	"dP" = 1, 2, 3
tc J "HCFG" = tc "SEnS" = J	-160 ... 1000 °C - 256 ... 1832 °F	-160.0 ... 999.9 °C -199.9 ... 999.9 °F
tc K "HCFG" = tc "SEnS" = CrAl	-100 ... 1370 °C - 148 ... 2498 °F	-100.0 ... 999.9 °C -148.0 ... 999.9 °F
tc S "HCFG" = tc "SEnS" = S	0 ... 1760 °C 32 ... 3200 °F	0.0 ... 999.9 °C 32.0 ... 999.9 °F
tc B "HCFG" = tc "SEnS" = b	72 ... 1820 °C 162 ... 3308 °F	72.0 ... 999.9 °C 162.0 ... 999.9 °F
tc E "HCFG" = tc "SEnS" = E	-150 ... 750 °C -252 ... 1382 °F	-150.0 ... 750.0 °C -199.9 ... 999.9 °F
tc L "HCFG" = tc "SEnS" = L	-150 ... 900 °C -252 ... 1652 °F	-150.0 ... 900.0 °C -199.9 ... 999.9 °F
tc N "HCFG" = tc "SEnS" = n	-250 ... 1300 °C -418 ... 2372 °F	-199.9 ... 999.9 °C -199.9 ... 999.9 °F
tc R "HCFG" = tc "SEnS" = r	-50 ... 1760 °C -58 ... 3200 °F	-50.0 ... 999.9 °C -58.0 ... 999.9 °F
tc T "HCFG" = tc "SEnS" = t	-250 ... 400 °C -418 ... 752 °F	-199.9 ... 400.0 °C -199.9 ... 752.0 °F
tc C "HCFG" = tc "SEnS" = C	0 ... 2320 °C 32 ... 4208 °F	0.0 ... 999.9 °C 32.0 ... 999.9 °F
IRS range "A" "HCFG" = tc "SEnS" = Ir.J - Ir.CA	-46 ... 785 °C -50 ... 1445 °F	-46.0 ... 785.0 °C -50.8 ... 999.9 °F



Pt100 (IEC) "HCFG" = rtd "SEnS" = Pt1	-200 ... 850 °C -328 ... 1562 °F	-199.9 ... 850.0 °C -199.9 ... 999.9 °F
PTC (KTY81-121) "HCFG" = rtd "SEnS" = Ptc	-55 ... 150 °C -67 ... 302 °F	-55.0 ... 150.0 °C -67.0 ... 302.0 °F
NTC (103-AT2) "HCFG" = rtd "SEnS" = ntc	-50 ... 110 °C -58 ... 230 °F	-50.0 ... 110.0 °C -58.0 ... 230.0 °F
0..20 mA "HCFG" = I "SEnS" = 0.20	-1999 ... 9999	-199.9 ... 999.9 -19.99 ... 99.99 -1.999 ... 9.999
4..20 mA "HCFG" = I "SEnS" = 4.20	-1999 ... 9999	-199.9 ... 999.9 -19.99 ... 99.99 -1.999 ... 9.999
0 ... 50 mV "HCFG" = UoLt "SEnS" = 0.50	-1999 ... 9999	-199.9 ... 999.9 -19.99 ... 99.99 -1.999 ... 9.999
0 ... 60 mV "HCFG" = UoLt "SEnS" = 0.60	-1999 ... 9999	-199.9 ... 999.9 -19.99 ... 99.99 -1.999 ... 9.999
12 ... 60 mV "HCFG" = UoLt "SEnS" = 12.60	-1999 ... 9999	-199.9 ... 999.9 -19.99 ... 99.99 -1.999 ... 9.999
0 ... 5 V "HCFG" = UoLt "SEnS" = 0.5	-1999 ... 9999	-199.9 ... 999.9 -19.99 ... 99.99 -1.999 ... 9.999
1 ... 5 V "HCFG" = UoLt "SEnS" = 1.5	-1999 ... 9999	-199.9 ... 999.9 -19.99 ... 99.99 -1.999 ... 9.999
0 ... 10 V "HCFG" = UoLt "SEnS" = 0.10	-1999 ... 9999	-199.9 ... 999.9 -19.99 ... 99.99 -1.999 ... 9.999
2 ... 10 V "HCFG" = UoLt "SEnS" = 2.10	-1999 ... 9999	-199.9 ... 999.9 -19.99 ... 99.99 -1.999 ... 9.999

- = (No OUT4)

**f : OUTPUT OUT5**

R = OUT5 Relay  
O = OUT5 VDC for SSR  
- = (No OUT5)

**g : COMMUNICATION INTERFACE AND CURRENT TRANSFORMER INPUT**

S = RS 485 Serial interface  
H = Current Trasformer input  
T =RS 485 Serial interface + Current Trasformer input  
- = (No RS485, No TA in)

**h, i, j : INTERNAL CODES**

**kk, ll : SPECIAL CODES**

**m : SPECIAL VERSION**

**P.A.** : The outputs OUT 4, 5 must be the same type (Relay or VDC for SSR)

**TLK 94 PASSWORD = 381**

**7.6 - INSTRUMENT ORDERING CODE**

TLK94 a b c d e f g h i j kk ll m

**a : POWER SUPPLY**

L = 24 VAC/VDC  
H = 100 ... 240 VAC

**b : OUTPUT OUT1**

R = OUT1 Relay  
O = OUT1 VDC for SSR  
I = OUT1 analog. 0/4 ..20 mA  
V = OUT1 analog. 0/2 .. 10 V

**c : OUTPUT OUT2**

R = OUT2 Relay  
O = OUT2 VDC for SSR  
I = OUT1 analog. 0/4 ..20 mA  
V = OUT1 analog. 0/2 .. 10 V  
- = (No OUT2)

**d : OUTPUT OUT3**

R = OUT3 Relay  
O = OUT3 VDC for SSR  
- = (No OUT3)

**e : OUTPUT OUT4**

R = OUT4 Relay  
O = OUT4 VDC for SSR