

Inductive switch ~ Cabel

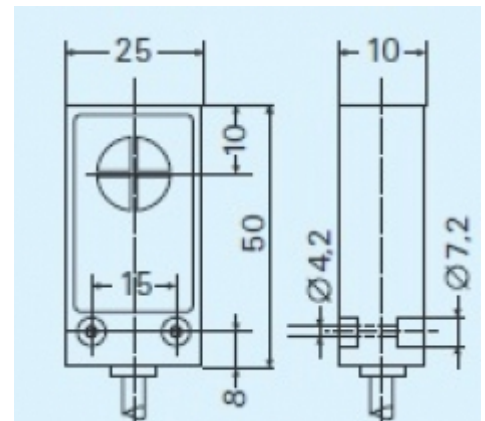
DCA 25 5809 **PNP NO**

FEATURES	VALUE
Dimensions	Quader 25
Mounting	Unshielded
Switching distance S_n [mm]	5
Supply voltage	DC
Supply voltage $U[V]$	10-30 V DC
Voltage drop $U[U_d]$	1,5 V
Voltage tolerance U_d	< 10%
Consumption $I_o[mA]$	10 mA
Max current $I[mA]$	250mA
Material housing	Plastics
Housing form	Quader
Housing Dimensions L	
Mechanical protection	IP 67
Connection	2m PVC
Temperature operating range	-25°C to + 70°C
Repeat accuracy R	< 2% S_n
Hysteresis H_y	1% - 15%
Switching frequency [f]	500 Hz
Polarity protection	Build in
LED function	Yes

Picture:



Scheme:



Electrical scheme:

