

- 2** Type
- ASD** Clamping by turning handle counter-clockwise
 - ASS** Clamping by turning handle clockwise

1

Size	F _H in N Holding Capacity	a	b	d ₁	d ₂	d ₃	h ₁ ≈	h ₂	l ₁ ≈
70	900	12	19,5	8,5	M 6	4,3	49	36	86
160	1300	15	25	11	M 6	5,5	79	46	117
550	4500	20	32	14	M 8	7	113	55	165

Size	l ₂ ≈	l ₃ ≈	m ₁	m ₂	m ₃	m ₄	s	t	w Stroke
70	77	22	26	26	13	-	6	12	20
160	107	32	36,5	33,5	11,5	-	7	12	30
550	153	42	35	41	15	41	7	16	42

Specification

- Body
Brass: Size 70
Steel: from Size 160
- forged
- black lacquered finish
- Parts in sheet metal
- case-hardened Steel C10
- zinc plated, blue passivated finish
- Plunger Steel St 37
zinc plated, blue passivated finish
- All moving parts lubricated with special grease
- Hand grip
High quality, oil resistant red plastic
- **RoHS compliant**

Accessory

- Spindle assemblies → Main Catalogue Page 765

Information

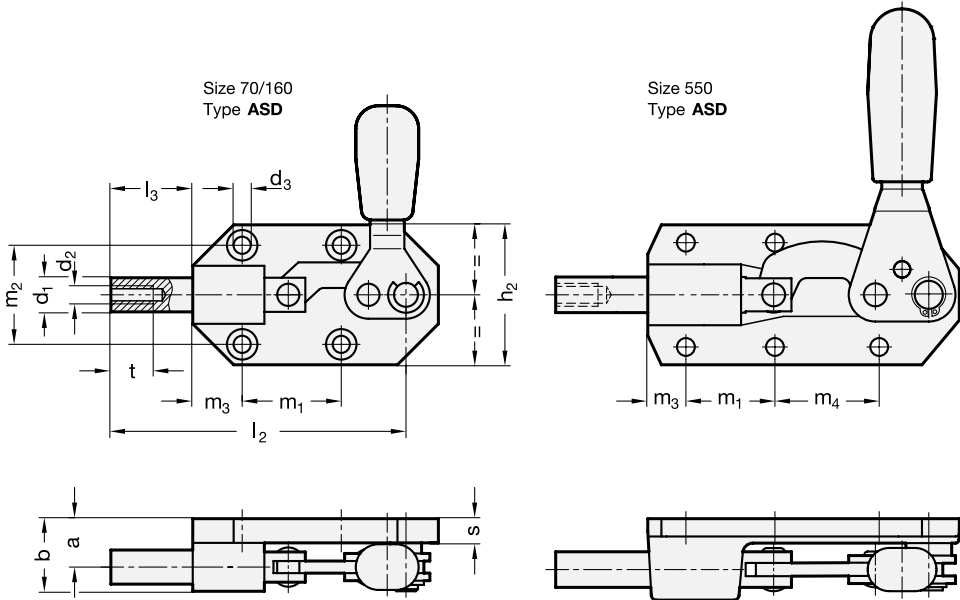
Push-Pull type toggle clamps GN 844 are known for their low height in all clamping positions. They can be used for very high holding forces thanks to their massive and sturdy body.

see also...

- General information for toggle clamps → Main Catalogue Page 676

How to order
GN844-70-ASS

- 1** Size
- 2** Type



Type ASS is mirror image of type ASD

