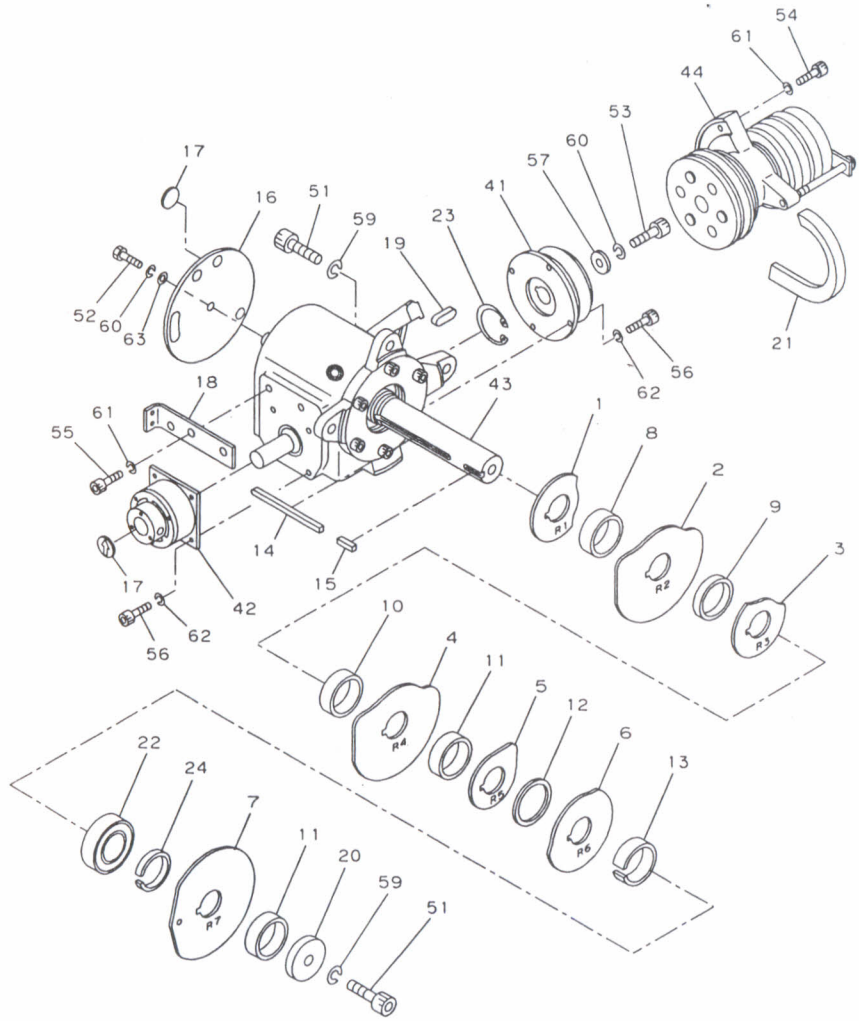


1-1

カムグループ
CAM GROUP

901-01-10001



1-1

カム グループ
CAM GROUP

901-01-10001

1-1-2

Ref.No. 見出番号	Parts No. 部品番号	Description 部品名称	Q'ty 数量	Remarks 備考
1	900-01-10110	Band Guide Cam	1	
2	900-01-10120	Left Press Cam	1	
3	900-01-10130	Heater Cam	1	
4	900-01-10141	Center Press Cam	1	
5	900-01-10150	Slide Table Cam	1	
6	900-01-10160	Right Press Cam	1	
7	900-01-10170	Right Bandway Cam	1	
8	900-01-10181	Collar, t14	1	
9	900-01-10191	Collar, t5	1	
10	900-01-10211	Collar, t12	1	
11	900-01-10221	Collar, t9	2	
12	900-01-10230	Collar, t2	1	
13	900-01-10330	Collar, t14 (B)	1	
14	900-01-10250	Key, 7x7x81.5	1	
15	0499-006017	Key, 7x7x17	1	
16	900-01-10270	Timing Plate	1	
17	900-01-10280	Seal (Arrow)	2	
18	900-01-10292	Proximity Switch Bracket	1	
19	0499-104020	Key, 5x5x20	1	
20	100-01-10120	Cam Shaft End Plate	1	
21	0810-151132	V-Belt, A-32	1	50Hz
	0810-151131	V-Belt, A-31	1	60Hz
22	0611-026005	Bearing, 6005zz	1	
23	0511-123516	Stop Ring, H-35	1	
24	900-01-10321	Collar, t5 (B)	1	
41	900-01-10501	Magnetic Clutch Set	1	
42	900-01-10700	Magnetic Brake Set	1	
43	900-01-11004	Gear Box Assembly	1	
44	900-01-12000	Interlock Shaft Assembly	1	
51	0111-108020	HBS, M8x20	4	
52	0131-106015	HB, M6x15	1	
53	0111-106012	HBS, M6x12	1	
54	0111-105025	HBS, M5x25	3	
55	0111-105015	HBS, M5x15	2	
56	0111-104012	HBS, M4x12	8	
57	0311-062010	PW, M6 (O.D.20, t1)	1	
59	0321-081520	SW, M8	4	
60	0321-061215	SW, M6	2	
61	0321-050913	SW, M5	5	
62	0321-040810	SW, M4	8	
63	0311-061310	PW, M6	1	