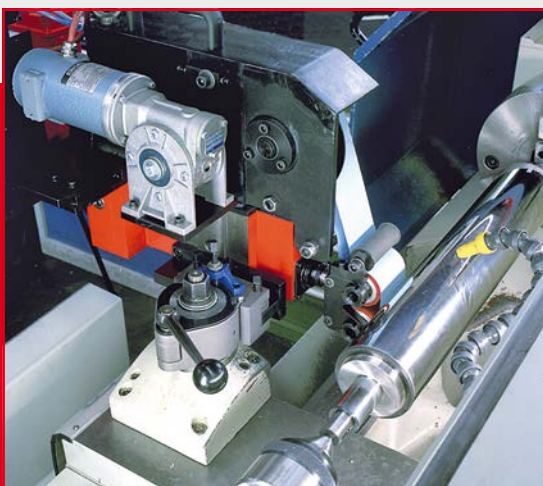
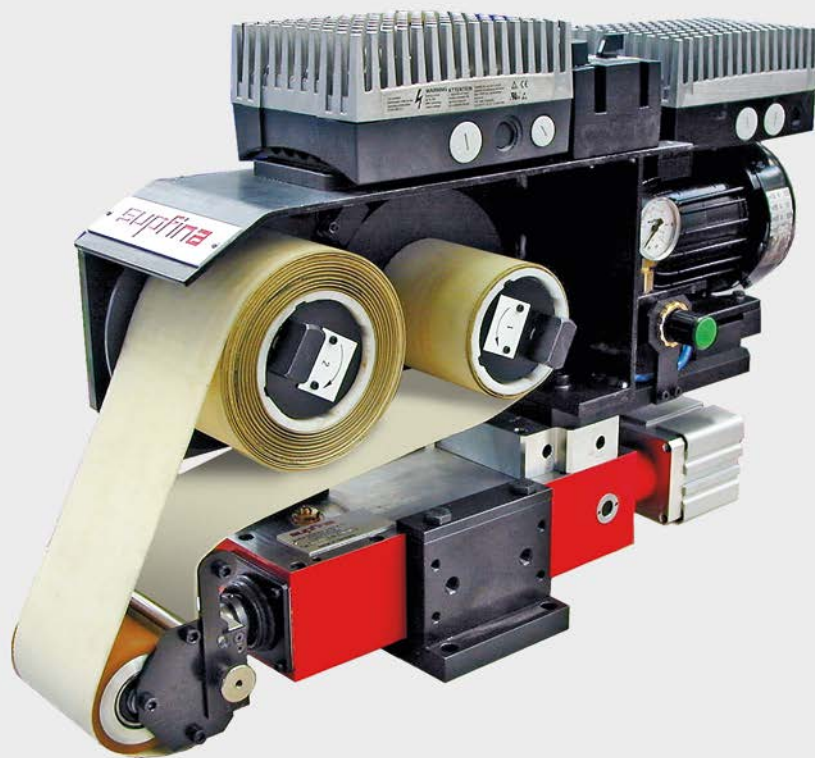


# Superfinishing Attachments

## Series 204/208



Electrically powered tape finishing attachment for mounting onto medium and large carrier machines to enable superfinishing of ground and fine-turned surfaces. Well-suited for machining workpiece collars with radii or very small relief cuts. Apart from cylindrical workpieces, flat surfaces can also be machined.

# Superfinishing Attachments

## Series 204/208

**supfina**

The superfinishing attachments of the 204/208 series are designed for intensive continuous and multi-shift operation. The oscillation frequency is produced by a double eccentric drive system resulting in an impressive running smoothness. The pneumatic tape guide is integrated into the robust cast iron housing and the pressure applied by the contact roll can be finely adjusted.

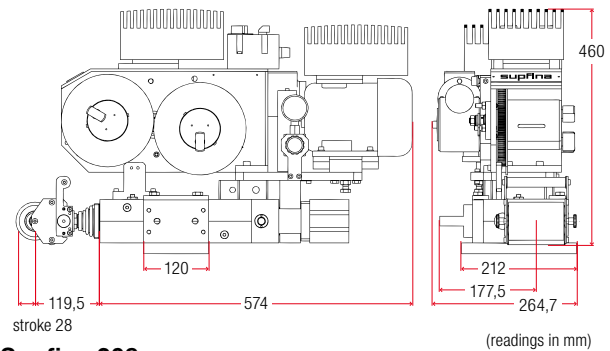
Technical Specifications	Supfina 204	Supfina 208
Frequency DH/min, max min	1350 0	1350
Amplitude in mm	±2.5	±2.5
Air pressure in bar	1–6	1–6
Weight in kg	70	78
Tape head stroke in mm	0–28	0–28
Tape width in mm	2", 3", 70 mm, 4"	150 mm (6")
Control box	Plug-in style	
Operating voltage	400V/50 Hz	400V/50 Hz
US Version	110V/60 Hz	110V/60 Hz
Drive wattage	0.37 kW	0.37 kW
Mounting orientation	0–90°	0–90°
<b>Options</b>		
Attachment type	right/left	
Pressure rollers	90, 70 or 50 shore	
Work sequence	program-controlled	
Drive	frequency-controlled	

## Superfinish Know-how

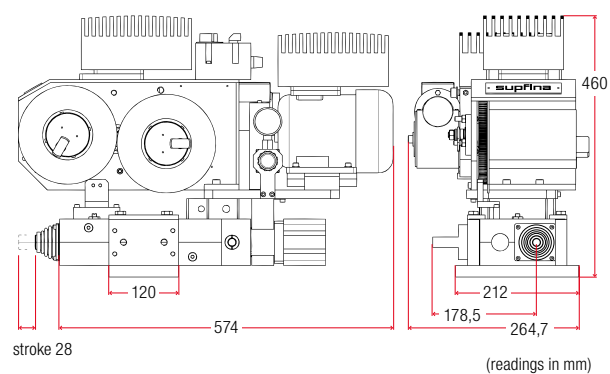
... in all applications with highest economical, ecological and efficient requirements for high-end surface and geometry qualities. You require technology consulting? Contact us.



### Supfina 204



### Supfina 208



## Accessories

### Tape finishing head

It is very easy to change the hardness, number and form of the pressure rollers. Cantilevered tape finishing heads are also available.



### Stone holder

The tape finishing attachment can be changed over at any time to also accept superfinishing stones.



Supfina **guarantees** independent consulting, which considers not only the choice of superfinishing abrasives, but also all factors affecting your production.



### Coolant Filter Unit

The superfinishing process requires ample flushing to the work surface. A built in filter ensures that the flushing agent will remain clean.

