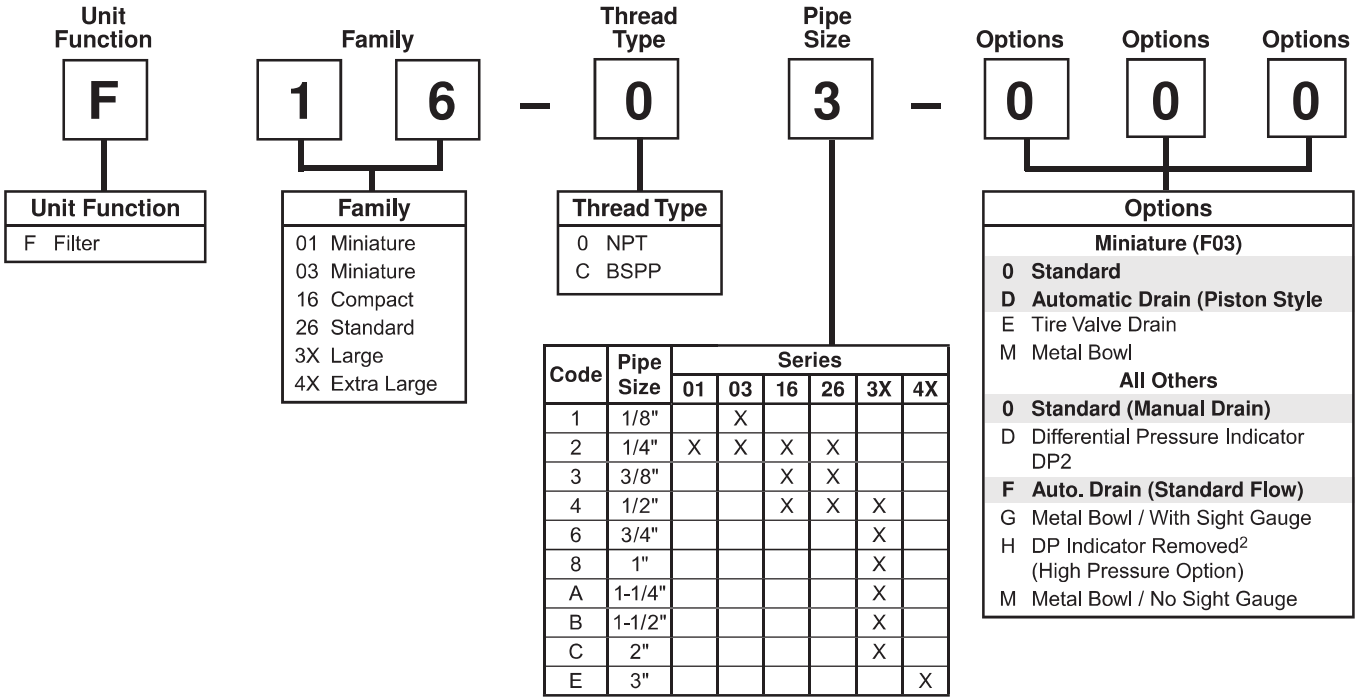


# Particulate Filter Numbering System    = "Most Popular"



**B**

<sup>1</sup> Ports on some units are BSPP-G, others are BSPT-Rc. Consult specific model page for specifications.

<sup>2</sup> Models F35, F36, F37 & F43.

"F" Series Filters, Type "A" 5 micron elements: All Wilkerson Type "A" micron elements meet or exceed ISO Class 3 for maximum particle size and concentration of solid contaminants.

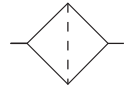
NOTE: All classes above refer to International Standards Organization (ISO) standard 8573-1, pertaining to maximum particle size and concentration of solid contaminants, and maximum oil content.

If more than one option is desired, arrange them in alphabetical order in positions 6, 7, and 8.

NOTE: 000 in position 6, 7, and 8 signifies standard product.

# Particulate Filter

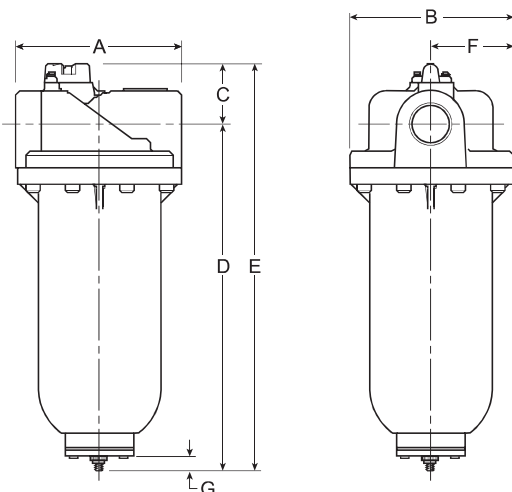
## F43



**F43-0E-000**

### Features

- Heavy-duty Cast Aluminum Housings to Withstand Operating Pressures Up to 300 PSIG\*
- Differential Pressure Indicator to Eliminate the Guesswork of Element Replacement
- Unique Drain Mounting Plate Design Offers a Trouble-free Method for Interchanging and Installing External Drains
- 5 Micron High Flow Particulate Element



= "Most Popular"

### Specifications

Flow Capacity*	3	2900 SCFM (1368 dm <sup>3</sup> /s)
Maximum Supply Pressure	without DP2	300 PSIG (20.7 bar)**
	with DP2	150 PSIG (10.3 bar)
Operating Temperature	32° to 150°F (0° to 65.5°C)	
Port Size	NPT / BSPP-G 3	
Standard Filtration	5 Micron	
Weight	32.8 lb. (14.9 kg)	

\* Inlet pressure 150 PSIG (10.3 bar). Pressure drop of 5 PSID (0.3 bar).

\*\* Without pressure indicator – Max. supply pressure is 300 PSIG (20.7 bar).

"F" Series Filters, Type "A" 5 micron elements: All Wilkerson Type "A" 5 micron elements **meet or exceed ISO Class 3** for maximum particle size and concentration of solid contaminants.

### Materials of Construction

Baffle	Plated Steel
Body	Aluminum
Bowls	Aluminum
Deflector	Plated Steel
Filter Element	Polyethylene
Seals	Fluorocarbon
Stud	Plated Steel

**NOTE:** Standard filter includes tapped 1/2 NPT / BSPP-G drain plate. To order internal float drain shown, order drain adapter plate GRP-95-391 and automatic drain GRP-95-981.

### Dimensions

Models	Inches (mm)	A	B	C	D	E	F	G
Standard Unit F43-0E-000		8.94 (227)	8.88 (225.5)	3.48 (88)	25.96 (659.4)	29.44 (748)	4.44 (112.8)	.55 (14)

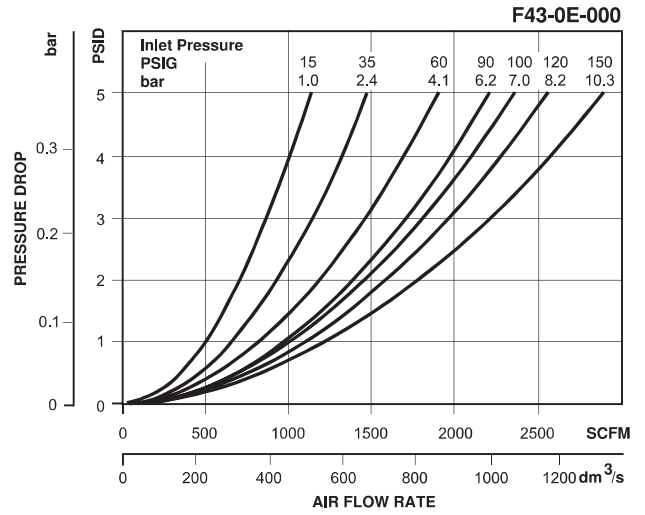
**Replacement Element Kit**

Element, F43, 5 Micron, Fluorocarbon O-rings.....FRP-95-508

**Accessories**

- Cap, Differential Pressure Indicator –  
For pressures over 150 PSIG..... GRP-95-022
- Drain, Automatic, Internal, Fluorocarbon,  
1/8 NPT ..... GRP-95-981
- Drain Plate Kit (.56 Dia.) –  
For use with internal auto float drain..... GRP-95-391
- Drain Plate Kit –  
1/4 NPT tapped drain port..... GRP-95-392  
1/2 NPT tapped drain port ..... GRP-95-393
- Gauge, Differential Pressure ..... DP3-01-000
- Indicator, Differential Pressure ..... DP2-01-001
- Manual Override for Auto Float Drain –  
GRP-95-981 required..... GRP-96-000

   = "Most Popular"



**Ordering Information**

Model Type	Port Size	Metal Bowl
F43	3	F43-0E-000 (Includes 1/2 NPT / BSPP-G Drain Plate)

Options - To order an option supplied with the unit model, add the appropriate coded suffix letter in the designated position of the model number.