

GlobTek, Inc.
 www.globtek.com
 186 Veterans Drive,
 Northvale, NJ 07647
 Tel. (201) 784-1000
 Fax (201) 784-0111

Drawing Title: GT-41080-1817.9-5.9, ITE Power Supply, Efficiency Level: V, Case Color/Style: GlobTek Black, Wall Plug-in, Regulated Switchmode AC-DC, Input Rating: 100-240V~, 50-60 Hz, Interchangeable Blades <http://en.globtek.com/interchangeable-blades.php>, Output Rating: 18W, 12V@1.5A, Output Configuration: 1830 mm, 20/1C + Shield Cond, UL 1185, Female Barrel 5.5 * 2.5 * 11mm No internal Spring Clip nor Locking Notch or Equal, Ferrite: None, GlobTek Black, GT Cord # C0284, Pin Out: Center Positive (+V), Blades/Input Cord: Q-Series Europe, Approvals: IRAM VCCI CCC Ukraine PSE Level V RoHS 2 EC GOST-R NrCan C-Tick China RoHS WEEE Double Insulation Korea Korea LPS NEMKO CB IP52 cULus NOM

Model No. GT-41080-1817.9-5.9

Part No. WR9QE1500LCPNEU(RVB)

Rev B

REVISION HISTORY

REV	DESCRIPTION	SUB	DATE	APPROVED
B	Revise GB size and packing	QA	11/07/2014	QA
A	Initial Release	rmünt	07/14/2014	QA

In Addition to GlobTek Inc.'s renewed ISO9001:2008 - Quality Management System Certification, GlobTek Inc. is now certified to:

ISO13485:2003 - Medical Devices Quality Management System Certification
 ISO14001:2004 - Environmental Management System Certification

ISO Certificates are available On-Line at <http://www.globtek.com/iso-certificates.php>

Customer Approval of Specification:

Please approve, sign and send back to GlobTek so we can complete order processing.

A delay in receipt of this form will delay delivery schedule.

Company Name:

Customer P/N:

Quote Number:

Date:

Authorized Representative Name:

Authorized Representative Signature:

Footnote:

GlobTek Inc. will not be liable for the safety and performance of these power supplies if unauthorized access and repair occurs. End user should consult applicable UL, CSA or EN standards for proper installation instruction.

Limitation of Use:

GlobTek product are not authorized for use as mission critical components in life support hazardous environment, nuclear or aircraft applications without prior written approval from the CEO of GlobTek Inc.
 Contents of this document are subject to change without prior notice.

GT-41080-1817.9-5.9, 18W, 12V@1.5A, Wall Plug-in, Regulated Switchmode AC-DC

GlobTek, Inc.
www.globtek.com
186 Veterans Drive,
Northvale, NJ 07647
Tel. (201) 784-1000
Fax (201) 784-0111

Drawing Title: GT-41080-1817.9-5.9, ITE Power Supply, Efficiency Level: V, Case Color/Style: GlobTek Black, Wall Plug-in, Regulated Switchmode AC-DC, Input Rating: 100-240V~, 50-60 Hz, Interchangeable Blades <http://en.globtek.com/interchangeable-blades.php>, Output Rating: 18W, 12V@1.5A, Output Configuration: 1830 mm, 20/1C + Shield Cond, UL 1185, Female Barrel 5.5 * 2.5 * 11mm No internal Spring Clip nor Locking Notch or Equal, Ferrite: None, GlobTek Black, GT Cord # C0284, Pin Out: Center Positive (+V), Blades/Input Cord: Q-Series Europe, Approvals: IRAM VCCI CCC Ukraine PSE Level V RoHS 2 EC GOST-R NrCan C-Tick China RoHS WEEE Double Insulation Korea Korea LPS NEMKO CB IP52 cULus NOM

Model No. GT-41080-1817.9-5.9

Part No. WR9QE1500LCPNEU(RVB)

Rev B

POWER SUPPLY INFORMATION

TYPE: Wall Plug-in
TECHNOLOGY: Regulated Switchmode AC-DC
CASE COLOR: GlobTek Black
NAMEPLATE RATED INPUT: 100-240V~, 50-60 Hz, 0.6A
INPUT CONFIG: Interchangeable Blades
WATTS: 18.0
VOLTS OUT: 12
CURRENT OUT (Amps): 1.5
BLADE/CORD INCLUDED: Q-EU: Q-Series Europe
BLADE/CORD INSTALLED: Q-EU: Q-Series Europe
EFFICIENCY LEVEL: V
OUTPUT CONFIGURATION: 1830 mm, 20/1C + Shield Cond, UL 1185, Female Barrel 5.5 * 2.5 * 11mm No internal Spring Clip nor Locking Notch or Equal, Ferrite: None, GlobTek Black, GT Cord # C0284
CONNECTOR PIN OUT: Center Positive (+V)
LABEL SPECS: Standard GT,L-1186
PACK SPEC: Standard WPI Q-EU installed, Individually Box

NOTES / DEVIATIONS:

DIMENSIONS ARE IN MM UNLESS SPECIFIED OTHERWISE.

ELECTRICAL SPECIFICATIONS

A) ELECTRICAL SPECIFICATIONS:

01. Input Voltage: Specified 90-264 Vac, Nameplate rated: 100-240Vac
02. Input Frequency: Specified 47-63 Hz, Nameplate rated 50-60Hz
03. Output regulation: +/-5% measured at the output connector
04. Line Voltage Regulation: +/- 1% typical measured at the output connector
05. Output Ripple (Vp-p): +/-1% or 150 mV whichever is greater, measured at 20 MHz bandwidth with 0.1 uf ceramic capacitor in parallel with 10 uf electrolytic capacitor connected at the end of the output connector at nominal line
06. Turn-ON/OFF Overshoot: 5% maximum, 1 mS typical recovery time for 25% to 50% step load
07. Turn-ON Delay: 1 second typical
08. Hold-Up Time: 8 mS typical @ nominal input voltage and full load
09. Inrush Current: 30A typical at 115VAC input and 60A typical at 230 VAC input
10. Switching Frequency: 65 KHz typical

B) PROTECTION

01. Over-Voltage: Protected Zener clamp across the output
02. Short Circuit: Protected unit will auto recover upon removal of fault
03. Input Protection: Input line fusing

C) SAFETY

01. Dielectric Withstand Voltage: 4242Vdc from primary to secondary
02. Touch Current: <0.25mA @ 240Vac input voltage
03. ROHS 2: Complies with EU 2011/65/EU and China SJ/T 11363-2006

D) OTHER:

01. MTBF: 200,000 Hours @ 25°C ambient temperature
02. Operating Temperature: 0°C to 40°C ambient temperature
03. Humidity: 0% to 90% relative humidity
04. Storage Temperature: -10°C to 80°C
05. Cooling: Convection

E) ENCLOSURE

PROPRIETARY INFORMATION

PROPRIETARY OF GLOBTEK, INC. ANY REPRODUCTION, DISCLOSURE OR USE OF THIS DRAWING, IN WHOLE OR IN PART, IS HEREBY PROHIBITED EXCEPT AS SPECIFIED IN WRITING BY GLOBTEK, INC.

mmünt/11/14/2014 12:57:23 PM

GlobTek, Inc.
www.globtek.com
186 Veterans Drive,
Northvale, NJ 07647
Tel. (201) 784-1000
Fax (201) 784-0111

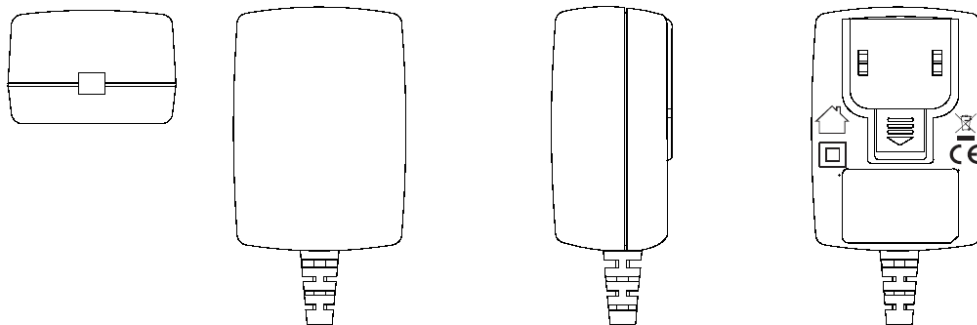
Drawing Title: GT-41080-1817.9-5.9, ITE Power Supply, Efficiency Level: V, Case Color/Style: GlobTek Black, Wall Plug-in, Regulated Switchmode AC-DC, Input Rating: 100-240V~, 50-60 Hz, Interchangeable Blades <http://en.globtek.com/interchangeable-blades.php>, Output Rating: 18W, 12V@1.5A, Output Configuration: 1830 mm, 20/1C + Shield Cond, UL 1185, Female Barrel 5.5 * 2.5 * 11mm No internal Spring Clip nor Locking Notch or Equal, Ferrite: None, GlobTek Black, GT Cord # C0284, Pin Out: Center Positive (+V), Blades/Input Cord: Q-Series Europe, Approvals: IRAM VCCI CCC Ukraine PSE Level V RoHS 2 EC GOST-R NrCan C-Tick China RoHS WEEE Double Insulation Korea Korea LPS NEMKO CB IP52 cULus NOM

Model No. GT-41080-1817.9-5.9

Part No. WR9QE1500LCPNEU(RVB)

Rev B

01. Housing: High impact plastic, 94V0 polycarbonate, non-vented
02. Size: 43.5 x 74.0 x 35.3 +/-1.0 mm
03. Markings: Label and/or Pad Printed and/or Molded in the case



GlobTek, Inc.
 www.globtek.com
 186 Veterans Drive,
 Northvale, NJ 07647
 Tel. (201) 784-1000
 Fax (201) 784-0111

Drawing Title: GT-41080-1817.9-5.9, ITE Power Supply, Efficiency Level: V, Case Color/Style: GlobTek Black, Wall Plug-in, Regulated Switchmode AC-DC, Input Rating: 100-240V~, 50-60 Hz, Interchangeable Blades <http://en.globtek.com/interchangeable-blades.php>, Output Rating: 18W, 12V@1.5A, Output Configuration: 1830 mm, 20/1C + Shield Cond, UL 1185, Female Barrel 5.5 * 2.5 * 11mm No internal Spring Clip nor Locking Notch or Equal, Ferrite: None, GlobTek Black, GT Cord # C0284, Pin Out: Center Positive (+V), Blades/Input Cord: Q-Series Europe, Approvals: IRAM VCCI CCC Ukraine PSE Level V RoHS 2 EC GOST-R NrCan C-Tick China RoHS WEEE Double Insulation Korea Korea LPS NEMKO CB IP52 cULus NOM

Model No. GT-41080-1817.9-5.9

Part No. WR9QE1500LCPNEU(RVB)

Rev B

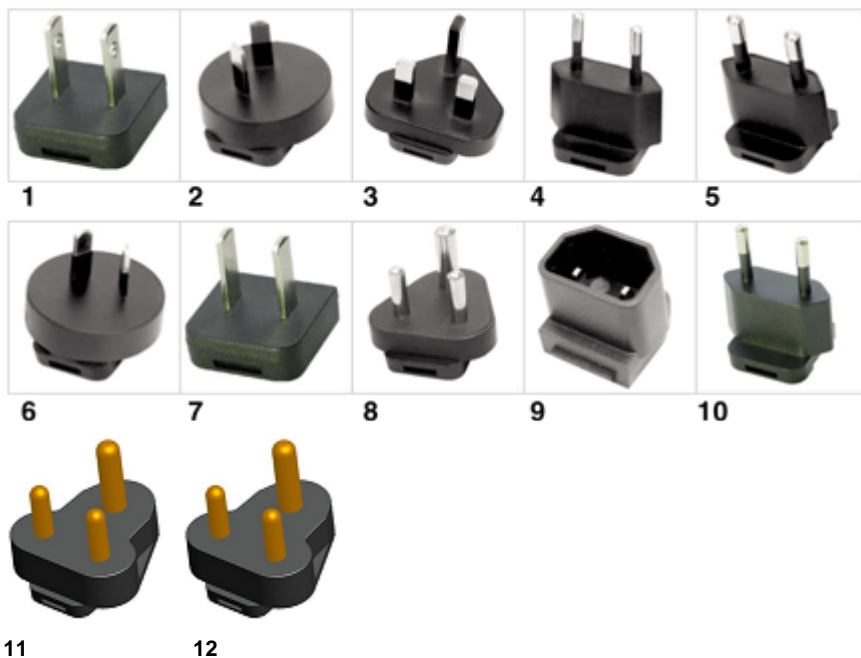
INPUT CONFIGURATION

Blades/Cord Included: Q-EU: Q-Series Europe
 Blades/Cord Installed: Q-EU: Q-Series Europe

Blade Options for Q Series Wall Plug-in Power Supplies

Data Sheet: <http://en.globtek.com/interchangeable-blades.php>

Insertion Instructions: <http://www.globtek.com/pdf/Instructions-Interchangeable-Blades.pdf>



INPUT CONNECTOR: Q-Socket (below are available blades configurations which are "not included" (unless stated above); can be purchased separately, package with power supply or as a separate "Q-KIT" if specified

01. North America / Japan NEMA 1-15P configuration: NA 2 blades, Class II; P/N: Q-NA(R)
02. Australian AS 3112 configuration: SAA 2 blade, Class II; P/N: Q-SAA(R)
03. UK BS 1363 configuration: UK 3 blade with dummy Ground, Class II; P/N: Q-UK(R)
04. European CEE 7/16 configuration: Europlug 2 pins, Class II; P/N: Q-EU(R)
05. Korean KS C8305 configuration: 2 pins, Class II; P/N: Q-KR(R)
06. Argentina IRAM 2073 configuration: 2 blades; P/N: Class II Q-AR(R)
07. China GB 2099 configuration: 2 blades, Class II; P/N: Q-CN(R)
08. India IS 1923 6A/SANS 164-3/BS546 configuration: 5A, 3 pins with Dummy Ground, Class II; P/N: Q-IN(R)
09. IEC320/C18 Inlet, Class II; P/N: Q-C18(R)
10. Brazilian NBR6147 configuration: 2 pins, Class II; P/N: Q-BR(R)
11. S. African SANS 164-1 configuration: 2 pins with Dummy Ground, Class II; P/N: Q-SANS164-1-16A(R)
12. British Standard BS 546-15A configuration: 2 pins with Dummy Ground, Class II; P/N: Q-BS546-15A(R)

GlobTek, Inc.
www.globtek.com
186 Veterans Drive,
Northvale, NJ 07647
Tel. (201) 784-1000
Fax (201) 784-0111

Drawing Title: GT-41080-1817.9-5.9, ITE Power Supply, Efficiency Level: V, Case Color/Style: GlobTek Black, Wall Plug-in, Regulated Switchmode AC-DC, Input Rating: 100-240V~, 50-60 Hz, Interchangeable Blades <http://en.globtek.com/interchangeable-blades.php>, Output Rating: 18W, 12V@1.5A, Output Configuration: 1830 mm, 20/1C + Shield Cond, UL 1185, Female Barrel 5.5 * 2.5 * 11mm No internal Spring Clip nor Locking Notch or Equal, Ferrite: None, GlobTek Black, GT Cord # C0284, Pin Out: Center Positive (+V), Blades/Input Cord: Q-Series Europe, Approvals: IRAM VCCI CCC Ukraine PSE Level V RoHS 2 EC GOST-R NrCan C-Tick China RoHS WEEE Double Insulation Korea Korea LPS NEMKO CB IP52 cULus NOM

Model No. GT-41080-1817.9-5.9

Part No. WR9QE1500LCPNEU(RVB)

Rev B

Kits

- 01. Q-KIT: 1,2,3,4 above
- 02. Q-KIT-INTL: 2,3,4 above
- 03. Q-KIT-6: 1,2,3,4,5,6 above
- 04. Q-KIT-7: 1,2,3,4,5,6,7 above
- 05. Q-KIT-8: 1,2,3,4,5,6,7,8 above

GlobTek, Inc.
 www.globtek.com
 186 Veterans Drive,
 Northvale, NJ 07647
 Tel. (201) 784-1000
 Fax (201) 784-0111

Drawing Title: GT-41080-1817.9-5.9, ITE Power Supply, Efficiency Level: V, Case Color/Style: GlobTek Black, Wall Plug-in, Regulated Switchmode AC-DC, Input Rating: 100-240V~, 50-60 Hz, Interchangeable Blades <http://en.globtek.com/interchangeable-blades.php>, Output Rating: 18W, 12V@1.5A, Output Configuration: 1830 mm, 20/1C + Shield Cond, UL 1185, Female Barrel 5.5 * 2.5 * 11mm No internal Spring Clip nor Locking Notch or Equal, Ferrite: None, GlobTek Black, GT Cord # C0284, Pin Out: Center Positive (+V), Blades/Input Cord: Q-Series Europe, Approvals: IRAM VCCI CCC Ukraine PSE Level V RoHS 2 EC GOST-R NrCan C-Tick China RoHS WEEE Double Insulation Korea Korea LPS NEMKO CB IP52 cULus NOM

Model No. GT-41080-1817.9-5.9

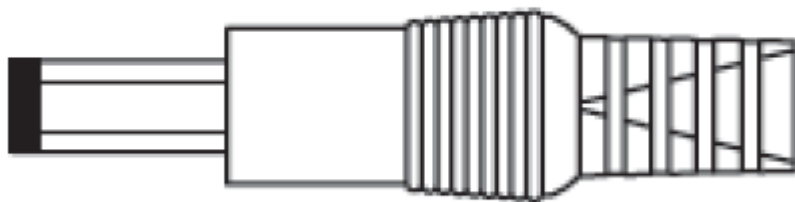
Part No. WR9QE1500LCPNEU(RVB)

Rev B

OUTPUT CORD AND CONNECTOR: LC/C0284

ACTUAL CONNECTORS, OVERMOLDS, FERRITES MAY VARY SLIGHTLY FROM THE PICTURE BELOW

CABLE TYPE	UL 1185
CABLE LENGTH (mm)	1830
CABLE TOLERANCE (mm)	+150-0
WIRE GAUGE (AWG)	20
CONDUCTORS	1C + Shield
HANK DIMENSION (mm)	70 +/-10mm
CABLE / CONNECTOR OVERMOLD COLOR	GlobTek Black
FERRITE TYPE / DIMENSION	None
FERRITE # OF TURNS	N/A
FERRITE DIMENSION FROM STRAIN RELIEF	N/A
FERRITE DIMENSION FROM PLUG	N/A
PLUG TYPE	Female Barrel 5.5 * 2.5 * 11mm No internal Spring Clip nor Locking Notch or Equal
OVER MOLD ORIENTATION	Straight
CONNECTOR PIN OUT:	Center Positive (+V)
ADDITIONAL REQUIREMENTS	



ADDITIONAL OUTPUT PLUG OPTIONS ARE AVAILABLE AT <http://www.globtek.com/connectors.php>
 STANDARD PLUGS AND CONNECTORS CAN BE SEEN ONLINE AT <http://www.globtek.com/connectors.php>

GlobTek, Inc.
 www.globtek.com
 186 Veterans Drive,
 Northvale, NJ 07647
 Tel. (201) 784-1000
 Fax (201) 784-0111

Drawing Title: GT-41080-1817.9-5.9, ITE Power Supply, Efficiency Level: V, Case Color/Style: GlobTek Black, Wall Plug-in, Regulated Switchmode AC-DC, Input Rating: 100-240V~, 50-60 Hz, Interchangeable Blades http://en.globtek.com/interchangeable-blades.php, Output Rating: 18W, 12V@1.5A, Output Configuration: 1830 mm, 20/1C + Shield Cond, UL 1185, Female Barrel 5.5 * 2.5 * 11mm No internal Spring Clip nor Locking Notch or Equal, Ferrite: None, GlobTek Black, GT Cord # C0284, Pin Out: Center Positive (+V), Blades/Input Cord: Q-Series Europe, Approvals: IRAM VCCI CCC Ukraine PSE Level V RoHS 2 EC GOST-R NrCan C-Tick China RoHS WEEE Double Insulation Korea Korea LPS NEMKO CB IP52 cULus NOM

Model No. GT-41080-1817.9-5.9

Part No. WR9QE1500LCPNEU(RVB)

Rev B

LABEL:L-1186

LABEL P/N: Standard GT
 MATERIAL: Flat Thermal Transfer, Imprintable, Polyester Label and/or Pad Printed and/or Molded, and/or Laser Engraved in the case
 BACKGROUND COLOR:Black
 TEXT COLOR: White or Silver or Gray
 LABEL WIDTH (mm): 29.8
 LABEL HEIGHT (mm): 20.8

Below is the minimum information which will appear on the label. NOTE: in the logo area additional/actual positioning of symbols and text is subjected to change as per agency updates/requirements or additional model approvals become available. Agency logos may be in Logo area on the label or molded into the case housing outside the label area. Information will be shown via Label and/or Pad Printed and/or Molded, and/or Laser Engraved in the case.



A=ITE Power Supply
 B=P/N: (料号) WR9QE1500LCPNEU(RVB)
 C=Model : (型号) GT-41080-1817.9-5.9
 D=Input : (输入) 100-240V~, 50-60 Hz, 0.6A
 E=Output : (输出) 12 V --- 1.5 A

AGENCY ONLINE DOCUMENTS <http://www.globtek.info/certs/GT-41080/>

IPXY rating is based on 3rd party testing and customers should check suitability and test system level IPXY rating before ordering.

Logo Approvals

Logo	Description
Pour matériel de informatique technologique. N136 SAA121637EA	C-Tick GT-41080 N136 SAA121637EA
No Logo	CB Certificate IEC 60950-1:2005 (2nd Edition), Am 1: 2009, CB report IEC 60950-1:2005 (2nd Edition), Am 1: 2009 and EN 60950-1:2006 + Am 1:2010 + Am 11:2009 + Am 12:2011

GlobTek, Inc.
 www.globtek.com
 186 Veterans Drive,
 Northvale, NJ 07647
 Tel. (201) 784-1000
 Fax (201) 784-0111

Drawing Title: GT-41080-1817.9-5.9, ITE Power Supply, Efficiency Level: V, Case Color/Style: GlobTek Black, Wall Plug-in, Regulated Switchmode AC-DC, Input Rating: 100-240V~, 50-60 Hz, Interchangeable Blades <http://en.globtek.com/interchangeable-blades.php>, Output Rating: 18W, 12V@1.5A, Output Configuration: 1830 mm, 20/1C + Shield Cond, UL 1185, Female Barrel 5.5 * 2.5 * 11mm No internal Spring Clip nor Locking Notch or Equal, Ferrite: None, GlobTek Black, GT Cord # C0284, Pin Out: Center Positive (+V), Blades/Input Cord: Q-Series Europe, Approvals: IRAM VCCI CCC Ukraine PSE Level V RoHS 2 EC GOST-R NrCan C-Tick China RoHS WEEE Double Insulation Korea Korea LPS NEMKO CB IP52 cULus NOM

Model No. GT-41080-1817.9-5.9

Part No. WR9QE1500LCPNEU(RVB)

Rev B



CCC to GB4943.1-2011, Tropical <2000



CHINA SJ/T 11363-2006, China RoHS Chart: <http://en.globtek.com/globtek-rohs.php>



UL60950-1, cULus to UL 60950-1, 2nd Edition, 2007-03-27 and CSA C22.2 No. 60950-1-07, 2nd Edition, 2007-03



Double Insulation - Mark is on the label or Molded in the case

No Logo

EC-Conformity Declaration:

http://www.globtek.com/html/iso_certificates/EC-DECLARATION.pdf,

REACH 144 SVHC: http://www.globtek.com/html/iso_certificates/Reach144.pdf



GOST-R mark for Russia(Document:

http://www.globtek.com/html/iso_certificates/GT_GOST-R.pdf)



Indoor Use Only - Mark is on the label or Molded in the case

IP52

Ingress Protection: IP52 to IEC60529:2001 Protected against dust - limited ingress (no harmful deposit) and Protected against direct sprays up to 15 degrees from the vertical IRAM certificate to IEC 60950 + A1:2009



직류전원장치 AC/DC ADAPTER
 KTC HU10499-11006A
 전기용품안전관리법에 의한 표시
 최저소비효율기준 만족 제품
 모델명: GT-41080-1817.9-5.9

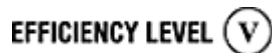
Mfr. Name: GLOBTEK (SUZHOU) CO.,LTD
 A/S Center: 10-6221-6100

Korea KET KC Mark GT-41080-1817.9-5.9 HU10499-11006A (12V Only)

직류전원장치 AC/DC ADAPTER
 KTC HU10499-13012A
 KCC-REM-GSZ-GT-41080-1824
 전기용품안전관리법에 의한 표시
 최저소비효율기준 만족 제품
 모델명:GT-41080-1824

Mfr. Name: GLOBTEK (SUZHOU) CO.,LTD
 A/S Center:10-6221-6100

Korea KET KC Mark GT-41080-1824 HU10499-13012A (24V Only)



Efficiency: complies to section 301 of Energy Independence and Security Act (EISA) complies with Energy Star tier 2 (North America), ECP tier 2 (China), MEPS tier 2 (Australia), Code of Conduct (Europe)

LPS

Limited Power Source



NEMKO EN60950-1:2006, A11, A1, A12

Fuente de alimentación de ITE

NOM (Mexico) to NOM-001-SCFI-1993 24V only



JAPAN PSE CQC Globtek Inc to J60950 AND J55022. Please follow the procedure listed in the following link for proper import to Japan:

<http://en.globtek.com/importing-to-japan.php>

RoHS 2: Complies with EU 2011/65/EU and CHINA SJ/T 11363-2006

GlobTek, Inc.
www.globtek.com
186 Veterans Drive,
Northvale, NJ 07647
Tel. (201) 784-1000
Fax (201) 784-0111

Drawing Title: GT-41080-1817.9-5.9, ITE Power Supply, Efficiency Level: V, Case Color/Style: GlobTek Black, Wall Plug-in, Regulated Switchmode AC-DC, Input Rating: 100-240V~, 50-60 Hz, Interchangeable Blades <http://en.globtek.com/interchangeable-blades.php>, Output Rating: 18W, 12V@1.5A, Output Configuration: 1830 mm, 20/1C + Shield Cond, UL 1185, Female Barrel 5.5 * 2.5 * 11mm No internal Spring Clip nor Locking Notch or Equal, Ferrite: None, GlobTek Black, GT Cord # C0284, Pin Out: Center Positive (+V), Blades/Input Cord: Q-Series Europe, Approvals: IRAM VCCI CCC Ukraine PSE Level V RoHS 2 EC GOST-R NrCan C-Tick China RoHS WEEE Double Insulation Korea Korea LPS NEMKO CB IP52 cULus NOM

Model No. GT-41080-1817.9-5.9

Part No. WR9QE1500LCPNEU(RVB)

Rev B

RoHS 2



10139



Center Positive (+V)

<http://www.ce-mark.com/Rohs%20final.pdf>

Ukraine UKRSePro (Document: www.globtek.com/html/iso_certificates/GT_Ukraine.pdf)

UL NRCAN 6011-000693-01 GT-41080;

<http://shop.csa.ca/en/canada/energy-efficiency/canicsa-c3811-08/inv/27024802008>

Japan: Voluntary Control Council for Interference (VCCI)

WEEE: Complies with EU 2012/19/EU (

http://ec.europa.eu/environment/waste/wEEE/index_en.htm)

Mark is on the label or Molded in the case

GlobTek, Inc.
www.globtek.com
186 Veterans Drive,
Northvale, NJ 07647
Tel. (201) 784-1000
Fax (201) 784-0111

Drawing Title: GT-41080-1817.9-5.9, ITE Power Supply, Efficiency Level: V, Case Color/Style: GlobTek Black, Wall Plug-in, Regulated Switchmode AC-DC, Input Rating: 100-240V~, 50-60 Hz, Interchangeable Blades <http://en.globtek.com/interchangeable-blades.php>, Output Rating: 18W, 12V@1.5A, Output Configuration: 1830 mm, 20/1C + Shield Cond, UL 1185, Female Barrel 5.5 * 2.5 * 11mm No internal Spring Clip nor Locking Notch or Equal, Ferrite: None, GlobTek Black, GT Cord # C0284, Pin Out: Center Positive (+V), Blades/Input Cord: Q-Series Europe, Approvals: IRAM VCCI CCC Ukraine PSE Level V RoHS 2 EC GOST-R NrCan C-Tick China RoHS WEEE Double Insulation Korea Korea LPS NEMKO CB IP52 cULus NOM

Model No. GT-41080-1817.9-5.9

Part No. WR9QE1500LCPNEU(RVB)

Rev B

PACKAGING

Packing Spec P/N: Standard WPI Q-EU installed, Individually Box

Box Qty: 80.0

Gift Box Size (mm): 105 x 75 x 46

Gift Box Color: White

Master Carton
Size (mm): 438 x 395 x 207

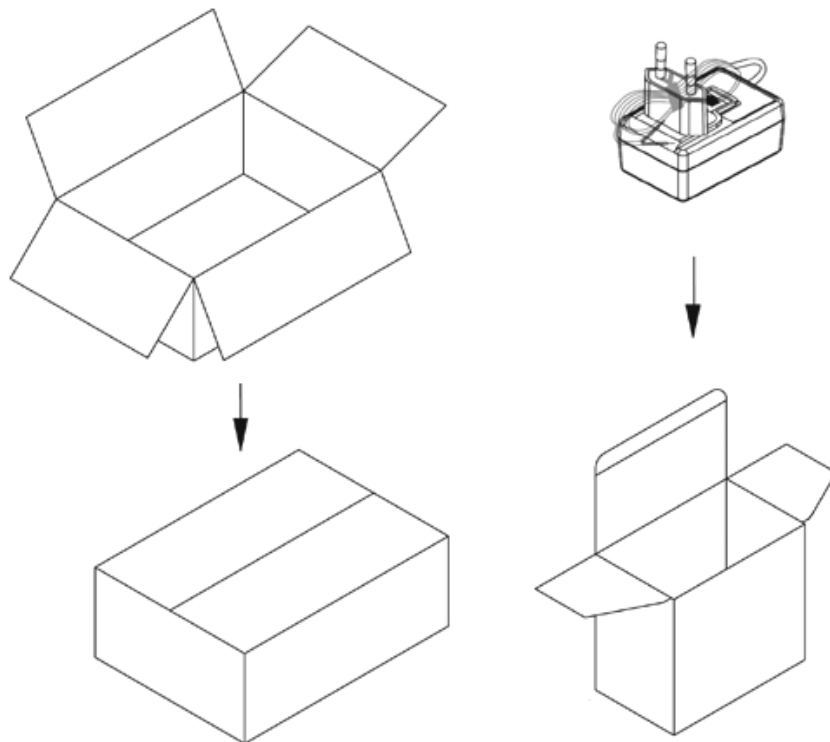
Master GW (Kg): 15.2 kg

BLADES INCLUDED: Q-EU: Q-Series Europe

BLADE/CORD
INSTALLED: Q-EU: Q-Series Europe

Power Supply & Blade(s) packaged together; see **above "Blades Included"** for actual blades included in the gift box.

If specific packaging is required, this section must specify all requirements and note "no exceptions". If this section does not specify packaging, it is subject to change without notice at GlobTek's discretion



GlobTek, Inc.
www.globtek.com
186 Veterans Drive,
Northvale, NJ 07647
Tel. (201) 784-1000
Fax (201) 784-0111

Drawing Title: GT-41080-1817.9-5.9, ITE Power Supply, Efficiency Level: V, Case Color/Style: GlobTek Black, Wall Plug-in, Regulated Switchmode AC-DC, Input Rating: 100-240V~, 50-60 Hz, Interchangeable Blades <http://en.globtek.com/interchangeable-blades.php>, Output Rating: 18W, 12V@1.5A, Output Configuration: 1830 mm, 20/1C + Shield Cond, UL 1185, Female Barrel 5.5 * 2.5 * 11mm No internal Spring Clip nor Locking Notch or Equal, Ferrite: None, GlobTek Black, GT Cord # C0284, Pin Out: Center Positive (+V), Blades/Input Cord: Q-Series Europe, Approvals: IRAM VCCI CCC Ukraine PSE Level V RoHS 2 EC GOST-R NrCan C-Tick China RoHS WEEE Double Insulation Korea Korea LPS NEMKO CB IP52 cULus NOM

Model No. GT-41080-1817.9-5.9

Part No. WR9QE1500LCPNEU(RVB)

Rev B

INSTRUCTION SHEET

Q Blades Instruction Sheet

Insertion Instructions: <http://www.globtek.com/pdf/Instructions-Interchangeable-Blades.pdf>

This manual is Provided to customer within the product specification - it is the responsibility of

the OEM/customer to provide the end system user instructions + warnings for the use of this product in the end system. By accepting this specification the customer/OEM Agrees to these terms.

USER MANUAL FOR Q-BLADE SERIES SWITCHING POWER SUPPLIES

Manual del Usuario. Fuentes de Alimentación Series Q-Blade

WARNING! RISK OF FIRE! SHOCK HAZARD!: To prevent electric shock, do not remove the cover. No user-serviceable parts inside. This unit contains hazardous voltages and should only be opened by a trained and qualified technician. Do not use if bent, cracked, modified or compromised. To avoid the possibility of electric shock, disconnect electric power to the product before connecting or disconnecting.

Advertencia! Riesgo de Fuego! Peligro de Choque eléctrico!

No contiene dentro componentes servibles para el usuario. Desconecte el cable de alimentación antes de quitar la cubierta.

INDOOR USE ONLY!

Únicamente para uso en el interior.

POWER SUPPLY BLADE/CORD: AC Mains voltage should be provided to the power supply by a power supply cords approved to

the national standards in which it will be used. Please use the below table as a guideline for Suitable Power cords.

CABLE DE ALIMENTACIÓN: El voltaje de la CA debe proporcionarse a la fuente de alimentación mediante

los cables de alimentación aprobados conforme a las normas nacionales según las cuales será utilizada. Utilice por favor la tabla mencionada aquí abajo como guía para los cables eléctricos adecuados.

1. Class II model NEMA 1-15P AC power plug with 2 prongs, Q-NA(R)
2. Australian AS 3112 configuration: SAA 2 pins Class II, Q-SAA(R)
3. UK BS 1363 configuration: UK 2 pins Class II, Q-UKY(R)
4. European CEE 7/16 configuration: Europlug 2 PINS, Class II, Q-EU(R)
5. Korean KS C8305 configuration: Q-KR(R)
6. Argentina IRAM 2073 configuration: 2 pins, Class II Q-AR(R)
7. China GR 2099 configuration: 2 pins, Class II Q-CN(R)
8. India configuration: 2 pins, Class II, Q-IN(R)
9. IEC320/C18 Inlet

GlobTek, Inc.
www.globtek.com
186 Veterans Drive,
Northvale, NJ 07647
Tel. (201) 784-1000
Fax (201) 784-0111

Drawing Title: GT-41080-1817.9-5.9, ITE Power Supply, Efficiency Level: V, Case Color/Style: GlobTek Black, Wall Plug-in, Regulated Switchmode AC-DC, Input Rating: 100-240V~, 50-60 Hz, Interchangeable Blades <http://en.globtek.com/interchangeable-blades.php>, Output Rating: 18W, 12V@1.5A, Output Configuration: 1830 mm, 20/1C + Shield Cond, UL 1185, Female Barrel 5.5 * 2.5 * 11mm No internal Spring Clip nor Locking Notch or Equal, Ferrite: None, GlobTek Black, GT Cord # C0284, Pin Out: Center Positive (+V), Blades/Input Cord: Q-Series Europe, Approvals: IRAM VCCI CCC Ukraine PSE Level V RoHS 2 EC GOST-R NrCan C-Tick China RoHS WEEE Double Insulation Korea Korea LPS NEMKO CB IP52 cULus NOM

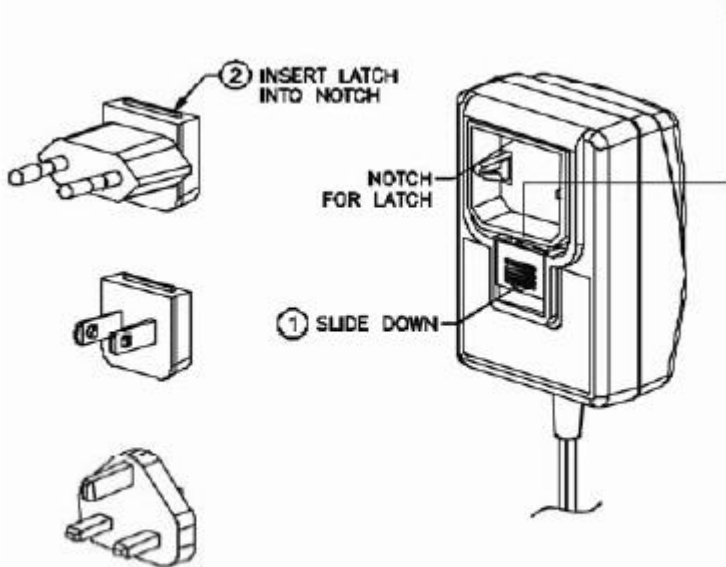
Model No. GT-41080-1817.9-5.9

Part No. WR9QE1500LCPNEU(RVB)

Rev B

FUSING: Internal fuse for Line is provided in the power supply. A blown internal fuse is an indication of catastrophic failure of circuit component(s). Repair must be performed by GlobTek, Inc. authorized personnel. Fuses must be replaced with same type and ratings per GlobTek internal documentation.

FUSIBLES: La fuente de alimentación provee un fusible interno para la línea. Un fusible interno quemado es un indicador de una falla catastrófica de los componentes del circuito. La reparación debe ser hecha por personal autorizado de GlobTek, Inc. Los fusibles se deben reemplazar por los mismos tipos y rangos que la documentación interna de GlobTek mencione.



This symbol on an instrument indicates that the user should refer to the operating instructions located in the manual.