



Main Features:

- General building supervisory approval issued by DIBt: Z-65.13-494
- Certification of Product Approval by SVTI ASIT: KVVU-No. 302.019.14
- Vlare II (Corcon bvba) Prototypekeur certificaat nr.: CP0914/3072-HCC001
- GOST-Clearance Certificate: 42 1300 / 9026 10 290 0
- Integrated measuring transducer and test button connection
- No moving parts
- All plastic version
- For universal connection
 - PLC or signalling device – MAXIMAT TC1/TC4
 - Supply power isolator – CST
 - Measuring transducer – MAXIMAT SHR C
 - Coupling relays
- Suitable for electrically conductive, non-flammable liquids

Application:

Overfill inhibitor for containers used for storing, filling and handling of water-endangering, non-flammable liquids

Description:

The MAXIMAT CX compact overfill inhibitor is a fill-level limit switch which is used to prevent overflowing of containers with water endangering liquids. When an electrically conductive liquid comes into contact with the measuring sensor, the integrated electronics respond by interrupting the continuously generated signal. This signal can be read out from the system controller as an acoustic or an optical alarm signal and, if required, can be used to cause an emergency shutdown of the filling process.

Technical Data:

Functional principal:	Capacitive high-frequency, fail-safe
Ambient temperature:	-20 to +60°C
Operating pressure:	Atmospheric, 0.8 to 1.1 bar
Terminal housing:	PBT, fibre-glass reinforced, IP65 protection per EN 60 529

- ❖ WHG§19 Germany
- ❖ KVVU Switzerland
- ❖ GOST Russ. Federation
- ❖ Vlare II Belgium

Technical layouts, materials etc. are subject to change at any time without notice.

Technical Data (continued):

Process interface: See order information

Supply power: 15 to 27V DC

Connected load: <1W

Outputs:

- **Floating reed relay contact** (contact opens in case of alarm)
for extra-low voltage, max. 50V AC / DC, max. 0.5A, max. 10VA,
e.g. for operating coupling relays or PLC, TC4 signalling device or CST supply
power isolator
- **2-wire alarm evaluation** with MAXIMAT SHR C measuring transducer

Note: Simultaneous use of both outputs is not possible.

Terminals: Screw terminals for wire cross-sections of up to 2.5mm²

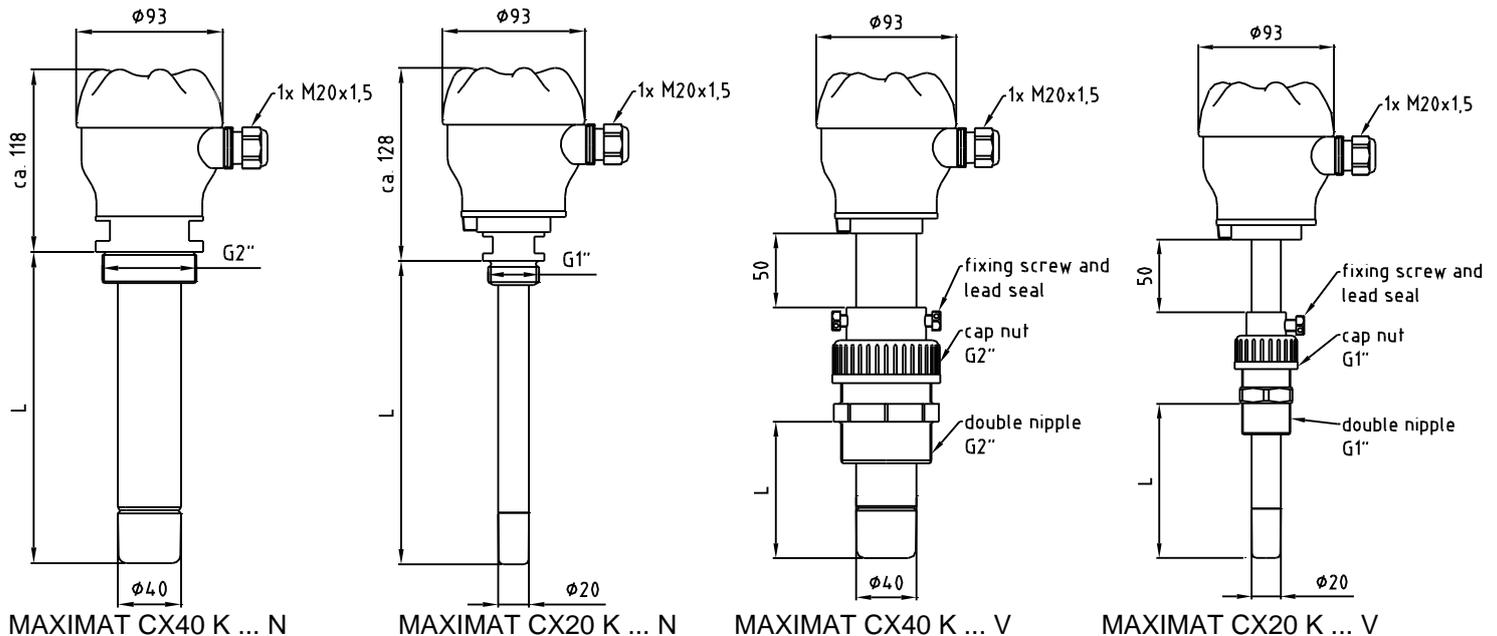
Additional function:

Connection of an external test button (floating contact) with
which the entire MAXIMAT CX electronics, the wiring
and the signalling device / control unit can be tested.

CE Mark:

In accordance with low-voltage directive (2006/95/EC) and
EMC directive (2004/108/EC)

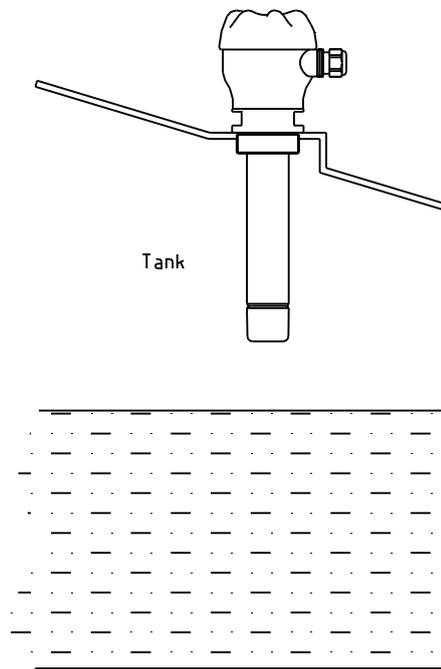
Dimensions:



Technical layouts, materials etc. are subject to change at any time without notice.

Order Information (continued):

Article No.	Designation	Description
556 602	MAXIMAT CX 40 K 4 V G2 1 L= 200mm	Overfill inhibitor with terminal housing, 40mm dia., PE, adjustable G2" PVC process interface, length = 200mm
556 604	MAXIMAT CX 40 K 4 V G2 1 L= 300mm	Overfill inhibitor with terminal housing, 40mm dia., PE, adjustable G2" PVC process interface, length = 300mm
556 606	MAXIMAT CX 40 K 4 V G2 1 L= 400mm	Overfill inhibitor with terminal housing, 40mm dia., PE, adjustable G2" PVC process interface, length = 400mm
556 608	MAXIMAT CX 40 K 4 V G2 1 L= 500mm	Overfill inhibitor with terminal housing, 40mm dia., PE, adjustable G2" PVC process interface, length = 500mm
556 662	MAXIMAT CX 20 K 4 V G1 1 L= 200 mm	Overfill inhibitor with terminal housing, 20mm dia., PE, adjustable G1" PVC process interface, length = 200mm
556 664	MAXIMAT CX 20 K 4 V G1 1 L= 300mm	Overfill inhibitor with terminal housing, 20mm dia., PE, adjustable G1" PVC process interface, length = 300mm
556 666	MAXIMAT CX 20 K 4 V G1 1 L= 400mm	Overfill inhibitor with terminal housing, 20mm dia., PE, adjustable G1" PVC process interface, length = 400mm
556 668	MAXIMAT CX 20 K 4 V G1 1 = 500mm	Overfill inhibitor with terminal housing, 20mm dia., PE, adjustable G1" PVC process interface, length = 500mm



Technical layouts, materials etc. are subject to change at any time without notice.