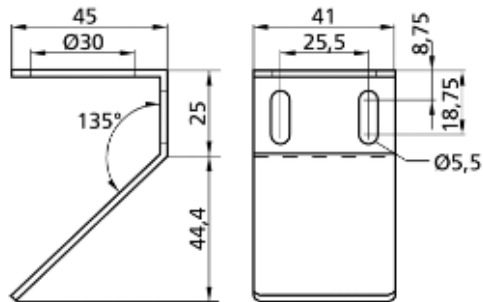


UF-90/M30

housing

detection zone



operating mode

accessories

description accessories

beam detector for sensors with M30 threaded sleeve and ≤ 1.3 m detection range

housing

weight

100 g

documentation & accessories

order no.

UF-90/M30