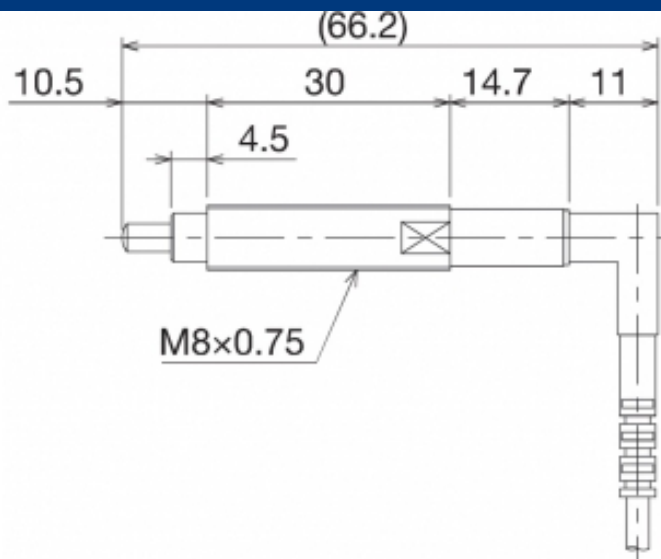


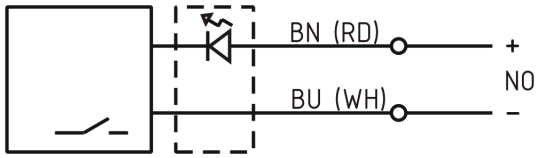


[Article Page](#)

**Product Description**

**Touch Sensor**



Name	CSK087A-LDR
Order number	08430131055
Switch type	 - N.O.
Signal Type	mechanical contact
Connection	 Cable
Connection diagramm	

Dimension (in mm)	M8 x 66,2
-------------------	-----------

**Technical Specification**

Operating voltage	5 - 24 V
Max. load current	10 mA
Swiching state	LED
Stroke	5 mm
Pre-travel	0,3 mm
Accuracy	0,005 mm
Probe tip	Zylinder 3,5/R 3
Probe tip material	Edelstahl
Operation load	1 N
art_ttl_mech	10 Mio. operating cycles
Protection category	IP65
Housing material	Stainless steel V2A

---

Termination	3m cable 2 wire
Approach direction	axial

---

**Errors and omissions exceptet**