

MOA.

Horizontal toggle clamps with folded base



Material

C10 zinc-plated steel.

Rivets

Zinc-plated steel.

Support bushing

Hardened and ground steel (for sizes ≥ 355).

Handle

Polyurethan, red colour.

Resistant to solvents, oils, greases and other chemical agents.

Standard executions

- **MOA-M**: with open clamping lever and two folded washers.

- **MOA-O**: with solid clamping lever and bolt retainer.

Clamping bolts

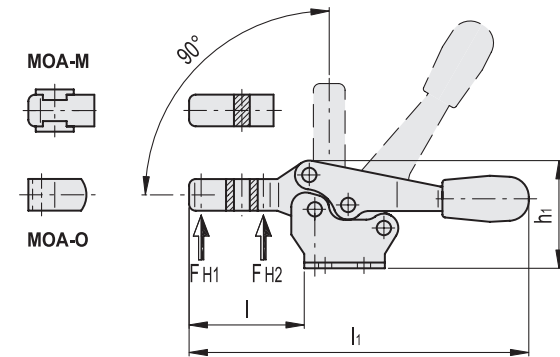
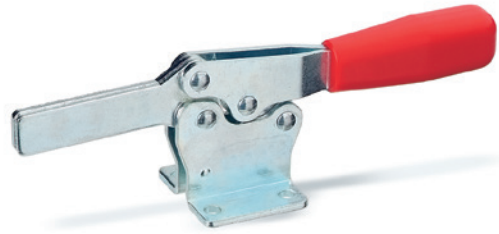
To be ordered separately (code GG.AD025 included in the supply).

Features and applications

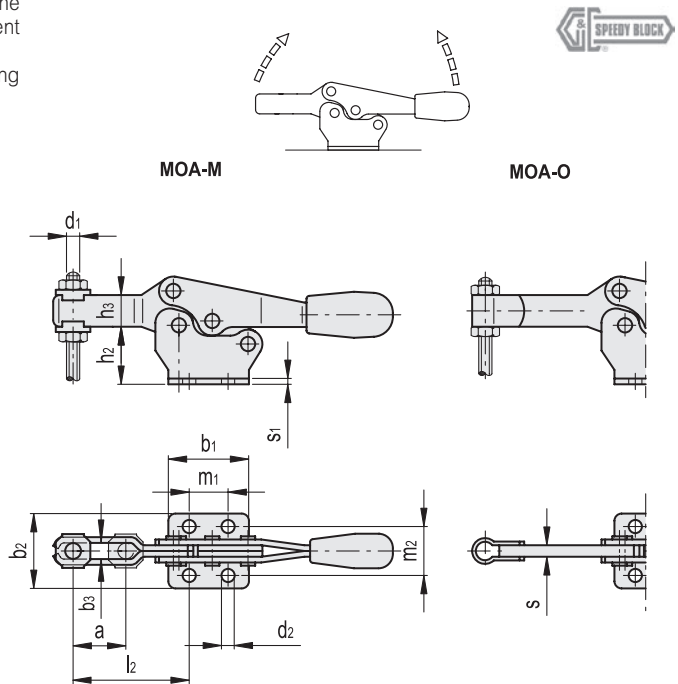
All articulated joints are lubricated with special grease.

Main feature of MOA. toggle clamps is the low clamping profile. These tools are designed to avoid that the operator's fingers may be hit by the lever while opening. During clamping, the lever is controlled to prevent impact on functioning due to side thrust.

During clamping, the lever is controlled to prevent impact on functioning due to side thrust.



Conversion Table 1 mm = 0.039 inch			
m1		m2	
mm	inch	mm	inch
15	0.59	16	0.63
13.5	0.53	17	0.67
26	1.02	26	1.02
41	1.61	28.5	1.12
41.5	1.63	41	1.61
		41.5	1.63



MOA-M

Code	Description	a	b ₁	b ₂	b ₃	d ₁	d ₂	h ₁	h ₂	h ₃	l	l ₁	l ₂	m ₁	m ₂	s ₁	FH1 [N]*	FH2 [N]*	⚖
GG.AD025	MOA.25-M	10	24	24.5	4.2	M4	4.3	23	12	7	19	68	20	15	16	1.2	400	-	25
GG.AD075	MOA.75-M	20	28	26	5.5	M5	4.5	37	20	11	40	118	40	13.5	17	2	900	1350	88
GG.AD135	MOA.130-M	32	36	40	6.5	M6	5.5	51	29	14	56	170	53	26	26	2.5	1000	2000	200
GG.AD270	MOA.230-M	37	44	42	8.5	M8	6.5	61.5	36.5	18	65	195	63.5	26	28.5	3	1700	3300	330
GG.AD370	MOA.355-M	58	60	56	10	M10	8.5	83	50	22	100	269	96	41	41	3.5	1800	4000	700
GG.AD470	MOA.455-M	65	70	65	12.4	M12	8.5	98.5	60	26	115	308	116	41.5	41.5	4	3200	6200	1200

MOA-O

Code	Description	b ₁	b ₂	d ₁	d ₂	h ₁	h ₂	h ₃	l	l ₁	m ₁	m ₂	s	s ₁	FH1 [N]*	FH2 [N]*	⚖
GG.AD085	MOA.75-O	28	26	M5	4.5	37	20	11	40.5	118.5	13.5	17	4	2	900	1350	88
GG.AD145	MOA.130-O	36	40	M6	5.5	51	29	14	57	171	26	26	5	2.5	1000	2000	200
GG.AD280	MOA.230-O	44	42	M8	6.5	61.5	36.5	18	67	197	26	28.5	6	3	1700	3300	340
GG.AD380	MOA.355-O	60	56	M10	8.5	83	50	22	102	271	41	41	7	3.5	1800	4000	720
GG.AD480	MOA.455-O	70	65	M12	8.5	98.5	60	26	117	310	41.5	41.5	10	4	3200	6200	1230

* Holding force.