

A.T.X.[®] FAS Series “Break Glass” Call Points

Increased Safety and Flameproof

ATEX/IEC:
Zone 1 and 2
II 2 GD
IP66 - IK10

Applications

- Located on exit routes, in particular on the floor landings of staircases and at all exits to the open air.
- For use in hazardous areas where ignitable vapors, gases or highly combustible dusts are present.
- For installation in chemical and petrochemical plants, refineries and other process industries.

Features

- Type PCe (increased safety version):
 - Hammer and stainless steel chain.
 - NO+NC contacts with 2.5 mm² (0.004 in²) terminals.
 - Earth termination: 2 x 4 mm² (0.003 x 0.006 in²) – internal and external.
 - 2 x M20 bottom entries supplied with polyamide cable gland – 6.5 to 14.5 mm (0.26 to 0.57 in) diameter and polyamide blanking plug.
- Type BR1d (flameproof version):
 - Hammer and stainless steel chain.
 - NO+NC contacts with 2.5 mm² (0.004 in²) terminals.
 - Earth termination: 2 x 4 mm² (0.003 x 0.006 in²) – internal and external.
 - 2 x M20 entries (1 top and 1 bottom) supplied with one aluminum blanking plug.

Standard Materials

- Type PCe
 - Box: red painted aluminum alloy
 - Cover: red painted steel
 - Chain: stainless steel
- Type BR1d
 - Box: painted marine grade aluminum alloy (gray painted body and red painted cover)
 - Chain: stainless steel

Options

- Special options available - consult factory for details.

ATEX/IEC Certifications and Compliances

- Certification Type: PCe
 - Gas: Zone 1 and 2
 - Conforming to ATEX 94/9/CE: CE 0081 II 2 G
 - ATEX/IEC Protection: Ex de IIC
 - T Rating: T6
 - Dust: Zone 21 and 22
 - Conforming to ATEX 94/9/CE: CE 0081 II 2 D
 - ATEX/IEC Protection: Ex tD A21
 - Surface Temperature: T80 °C (T176 °F)
 - Ambient Temperature: -55 °C to +60 °C (-67 °F to +80 °F)
 - CE Declaration of Conformity: 50221
 - ATEX Certificate: LCIE 00 ATEX 6047
 - IEC Certificate: LCIE Ex 00.017
- Certification Type: BR1d
 - Gas: Zone 1 and 2
 - Conforming to ATEX 94/9/CE: CE 0081 II 2 G
 - ATEX/IEC Protection: Ex d IIC
 - T Rating: T6 for Ta = +40 °C (+104 °F); T5 for Ta = +55 °C (+131 °F)
 - Dust: Zone 21 and 22
 - Conforming to ATEX 94/9/CE: CE 0081 II 2 D
 - ATEX/IEC Protection: Ex tD A21
 - Surface Temperature: T95 °C (T203 °F)



Ex de IIC Version
(PCe Type)



Ex d IIC Version
(BR1d Type)

- Ambient Temperature: -40 °C to +55 °C (-40 °F to +131 °F)
- CE Declaration of Conformity: 50230
- ATEX Certificate: LCIE 02 ATEX 6056
- IEC Certificate: LCIE Ex 02.005
- Internal Volume: <2 dm³ (2 liters)
- Other Certifications: GOST R
- Ingress Protection (solid and liquid): IP66
- Impact Resistance: IK10
- Ex standards: EN/IEC 60079-0; 60079-1; 60079-7; 61241-0; 61241-1
- Product standards: EN/IEC 60947-1; 60947-5-5
- Other standards: EN/60529 (IP); 62262 (IK)

A.T.X.[®] FAS Series “Break Glass” Call Points

Increased Safety and Flameproof

ATEX/IEC:
Zone 1 and 2
II 2 GD
IP66 - IK10

Catalog Numbering Guide

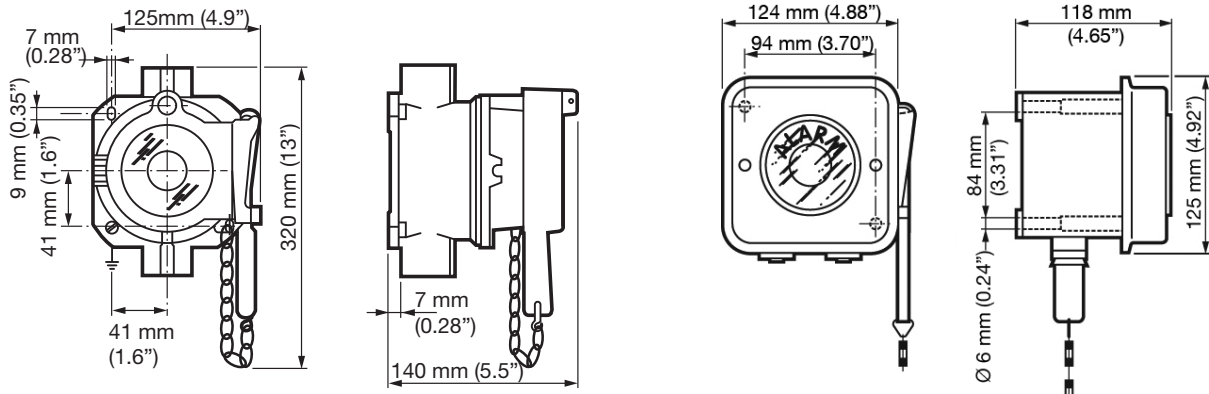
FAS
|
Series:
ATEX/IEC Certified

D
|
D - Ex d
E - Ex e

A
|
A - Automatic
M - Manual

Description	Weight kg (lb)	Volume dm ³ (in ³)	Catalog Number	Pack
Increased Safety Ex de IIC Version - Type PCe:				
Manual breaking of the circuit after breaking the glass. Momentary NO+NC contacts	1.2 (2.6)	5 (305.1)	FASEM	1
Automatic breaking of the circuit as soon as glass is broken. Momentary NO+NC contacts	1.2 (2.6)	5 (305.1)	FASEA	1
Flameproof Ex d IIC Version - Type BR1d:				
Automatic breaking of the circuit as soon as glass is broken. Momentary NO+NC contacts	1.2 (2.6)	3.8 (231.9)	FASDA ①	1

Dimensions in Millimeters (Inches)



① Please check your cable entry as FASDA is M20 and not M25 as the old catalog number 093818.