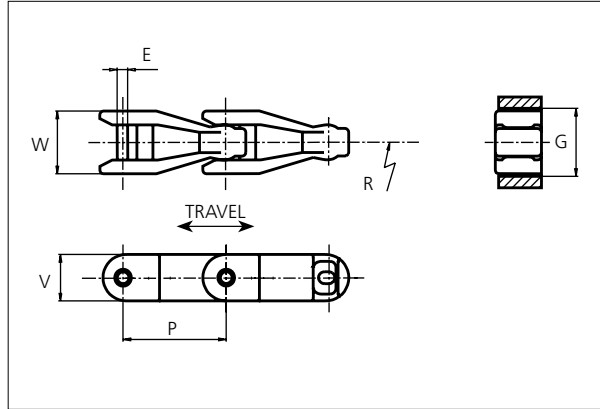




# uni Flex Plastic Chain

Series **uni 2800** Type -



**uni Flex Plastic Chain**  
 Side flexing chain  
 Pitch: 82.5 mm (3.25 in)  
 Backflex radius:  
 75.0 mm (2.90 in)  
 Permissible tensile strength:  
 POM material:  
 6000 N (1349 lbf)  
  
 Standard shipping lengths:  
 boxes of 74 links  
 = 6.105 m (20.0 ft)

STANDARD

E		G		P		V	
mm	in	mm	in	mm	in	mm	in
9.5	0.37	54.0	2.13	82.5	3.25	37.3	1.47

All dimensions are for chains in POM material.


Width (W)		Material & color	Pin material	Weight		Min. radius (R)	
mm	in			kg/m	lb/ft	mm	in
53.5	2.11	POM-D <b>W</b>	<b>SS304</b>	1.6	1.09	500	19.69

Non standard material and color: See uni Material and Color Overview.  
 Non standard pin material: See uni Material and Color Overview.

SIDE FLEXING

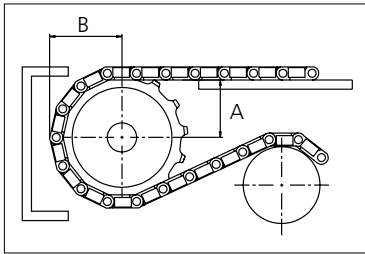
PITCH 82.5 MM/3.25 IN

## Sprocket

No of teeth	Pitch diameter		Overall-diameter		Min. ø bore		Max. ø bore		Hub-diameter		Dimension A		Dimension B		 Machined PA6
	mm	in	mm	in	mm	in	mm	in	mm	in	mm	in	mm	in	
<b>Z6</b>	165.0	6.50	168.0	6.60	20.0	0.80	40.0	1.60	63.0	2.50	53.0	2.10	101.0	4.00	✓
<b>Z8</b>	215.6	8.49	224.0	8.80	20.0	0.80	50.0	2.00	73.5	2.90	81.1	3.20	126.3	5.00	✓
<b>Z10</b>	267.0	10.51	277.0	10.90	20.0	0.80	50.0	2.00	73.5	2.90	108.5	4.30	152.0	6.00	✓

### Machined sprocket

Non standard material and color:  
See uni Material and Color Overview.



Please ensure that sufficient size shaft and keyway are chosen for corresponding load.

Other sprocket sizes are available upon request  
 Width of tooth: 15.0 mm/0.59 in  
 Width of sprocket: 42.3 mm/1.67 in  
 uni Retainer Rings: See uni Retainer Ring data sheet

uni 2800/160624



Solid advice  
 For all your belting needs  
 Local stock & service  
[www.ammeraalbeltech.com](http://www.ammeraalbeltech.com)

**Ammeraal Beltech Modular A/S**  
 Hjulmagervej 21  
 DK-7100 Vejle

T +45 7572 3100  
 F +45 7572 3348  
 admin@unichains.com  
 www.unichains.com

This information is subject to alteration due to continuous development. Ammeraal Beltech will not be held liable for the incorrect use of the above stated information. This information replaces previous information. All activities performed and services rendered by Ammeraal Beltech are subject to general terms and conditions of sale and delivery, as applied by its operating companies.