



**Electrical data (according to IEC 60947-3)**

Thermal current I <sub>th</sub> (40 to 60° C) HR60%	315A
Thermal current I <sub>th</sub> (70° C) HR50%	280A
Rated insulation voltage U <sub>i</sub>	1500V
Rated impulse withstand voltage U <sub>imp</sub>	12kV

Temperature	HR max	Range of usage
Storage (1 year max)	95%	-40°C +75°C
Shipping & Transportation	95%	-40°C +75°C
Under operation	95%	-30°C +70°C

**Quality Telergon**

ISO 9001 & 14001



**Testing as per IEC 60947- 1 & 3 Approvals**

Austrian Institute of Technology



**DC Rated operational current I<sub>e</sub> (A)**

1000Vdc	DC21B	250A
---------	-------	------

**Short-circuit behaviour**

Short-circuit making capacity (peak value)*1 I <sub>cm</sub>	20kA
Maximum power dissipation A <sup>2</sup> s(x10 <sup>3</sup> )	1000

\*1 Without limiting protective device (short - circuit maintained 50-100 ms)

**Connection capacity**

Bar (Thickness / Width) (mm)	7/25
Rigid cable Cu for each side (mm <sup>2</sup> )	185
Max. Connecting copper bar (mm)	25
Tightening torque (N·m) -10% ÷ 5%	18

**Mechanical data**

Minimum number of operations (without load)	20000
Minimum number of electrical operations (DC21B 1000Vdc) (Cycles)	200
Maximum weight (Without jumpers)	1,9 Kg

**Routine Test**

- Mechanical operations (5 open & close operations)
- Dielectric strength according to IEC/EN UNE 60947-3
- Continuity test in ON position & no continuity test in OFF position
- Internal strength

**Handle**



**Codes**

Case size	Poles	Code	Code for direct handle
1	4	S5-03154PR0	DS-SI11
			Code for panel handle
			DS-SA11

**Accessories**

See next page please

In our web site [www.telergon.com](http://www.telergon.com) you will find detailed information about our products

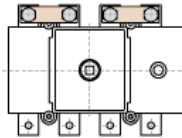
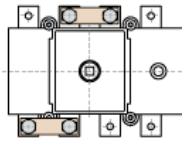
# S5000 DC Accessories



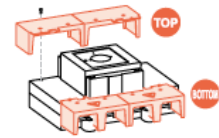
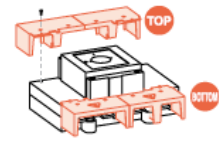
## Connection diagram



## Bridging links



## Terminal shrouds



» Bridging links (2 units)

CODE DS-PI11

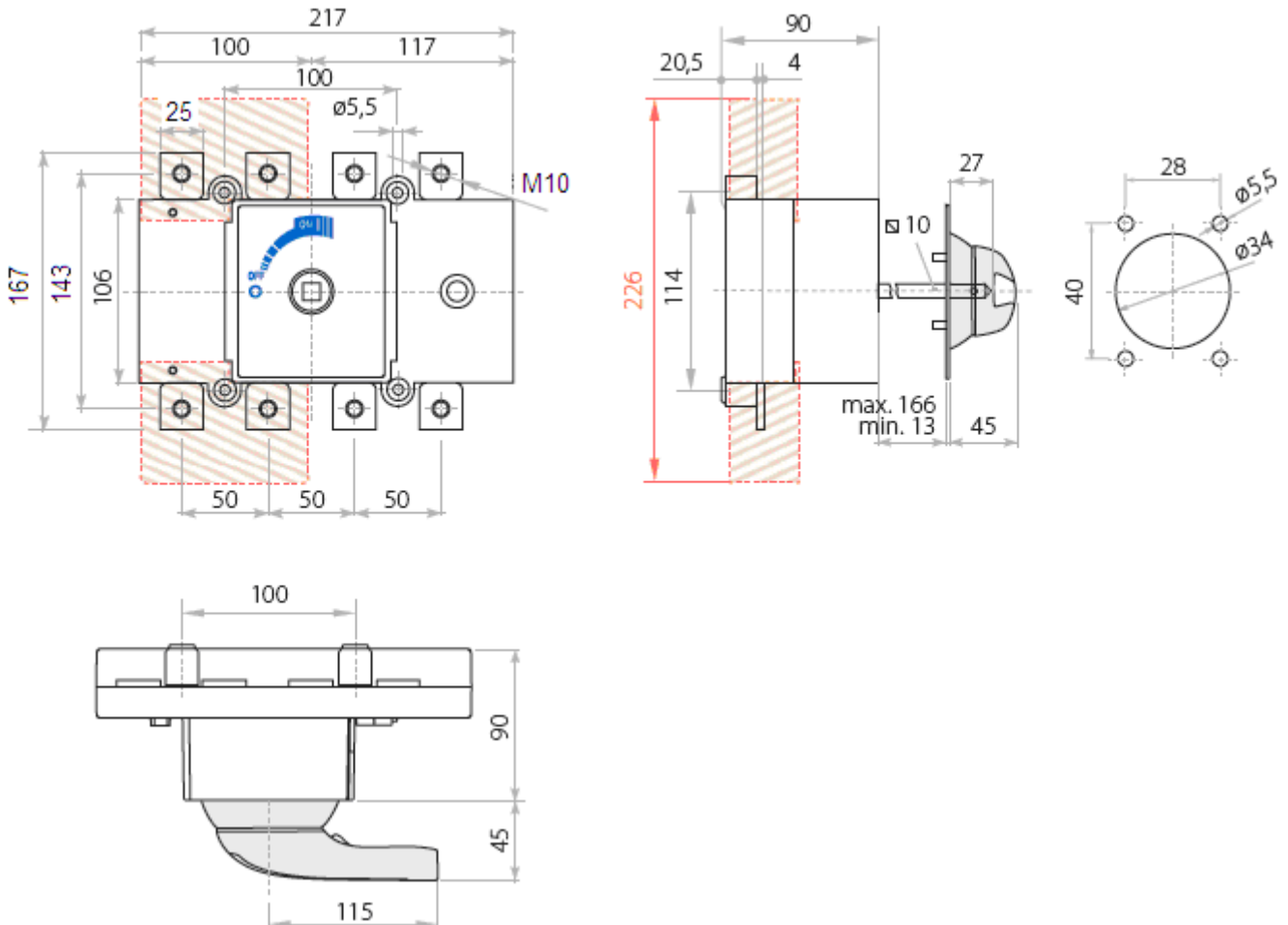
In our web site [www.telergon.com](http://www.telergon.com) you will find detailed information about our products

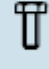


DC Switch-Disconnecter  
S5-03154PR0

TELERGON, S.A.U.  
Data subject to change without  
notice (printed: 29/09/2016)

# S5000 DC Dimensions (mm)



S max (Cu) mm <sup>2</sup>	H max (Cu) mm	L max (Cu) mm		M Nxm
185	7	25	M10	18

In our web site [www.telergon.com](http://www.telergon.com) you will find detailed information about our products



**DC Switch-Disconnecter  
S5-03154PR0**

TELERGON, S.A.U.  
Data subject to change without  
notice (printed: 29/09/2016)