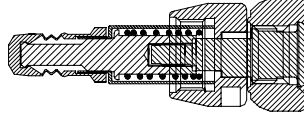
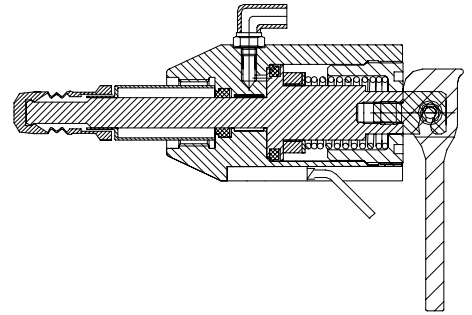


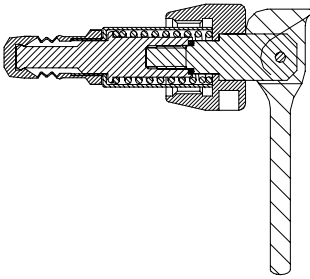
Valve head Type H
Item no.: 600041/
855541



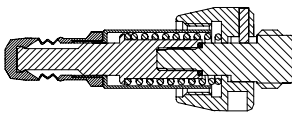
Valve head Type N
Item no.: 600044/
855544



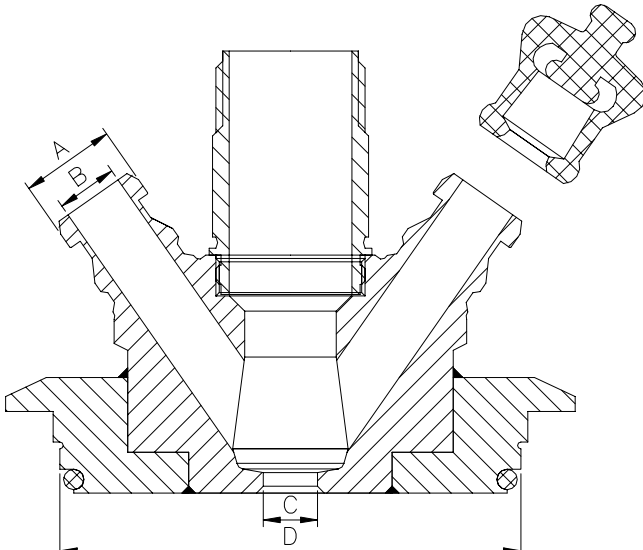
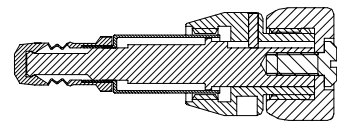
Valve head Type Q
Item no.: 600043/
855543



Valve head Type K
Item no.: 600042/
855542



Valve head Type B
Item no.: 600047/
855547



Where to use :	Pipes and tanks
Installation:	Varivent® in-line access unit.
In / Outlet:	Hose piece
Material:	AISI 316L (1.4404)
Material certificate:	3.1.B
Electropolish:	Outside
Key measurements	
Drawing part A:	Ø14 mm. Ø0.55 In.
Drawing part B:	Ø9 mm. Ø0.35 In.
Drawing part C:	Ø8 mm. Ø0.31 In.
Drawing part D:	Ø68 mm. Ø2.68 In.
Inner surface:	Ra 0.5 µm
Net weight:	0.82 kg./pc 1.79 lb
Working temperature depends on choice of valve head.	
Working pressure depends on choice of valve head.	