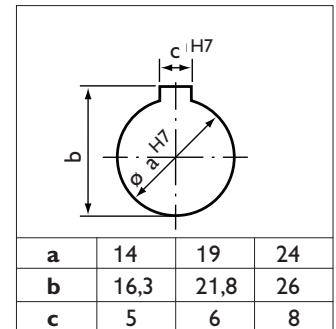


Double Pulley Drives

RF 100 b 1 : 5,5

$P_{1 \text{ max.}}$ 1,5 kW

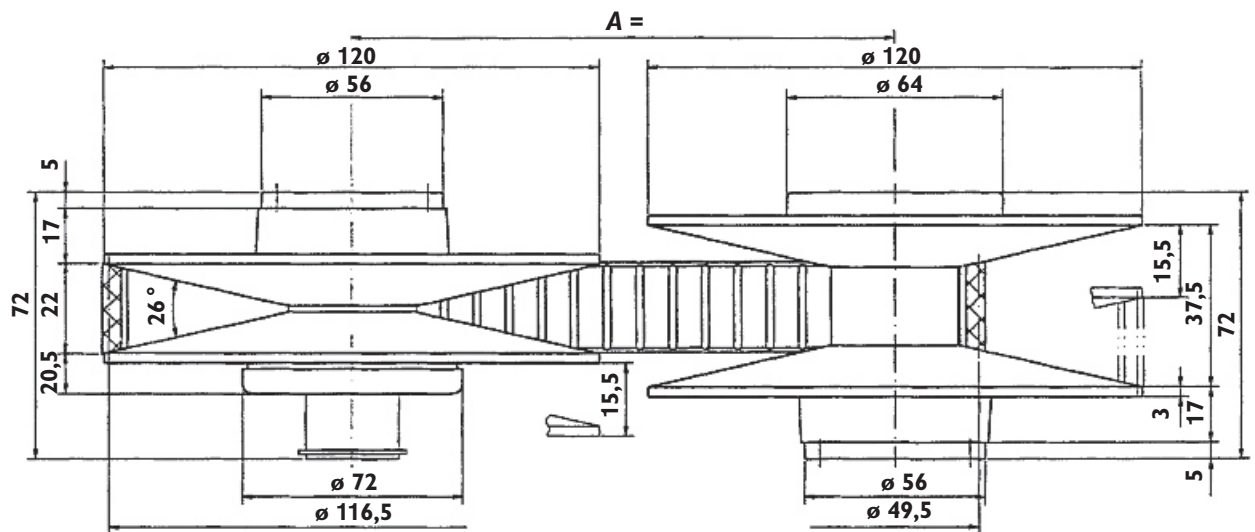
Wide V-belt	22 x 7
Speed range	1 : 5,5
Motor power	max. 1,5 kW
Control stroke	15,5 mm
Control force	1,45 Nm
Weight	19,5 N
Moment of inertia	$R = 9,9 \times 10^{-4} \text{ kgm}^2$ $F = 7,7 \times 10^{-4} \text{ kgm}^2$
Belt max. inside running \varnothing	106 mm
Belt min. inside running \varnothing	39 mm
Radial load	100 N



Special bores on request against extra cost

Control pulley **R 100 b**

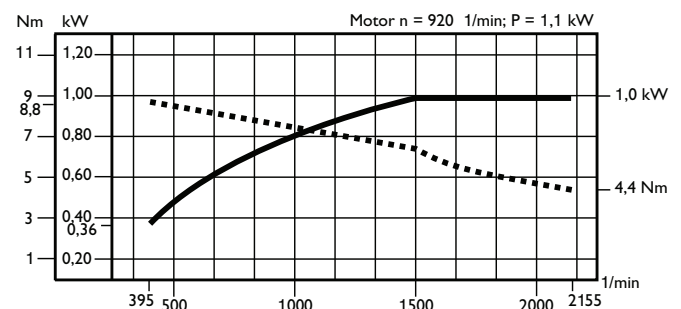
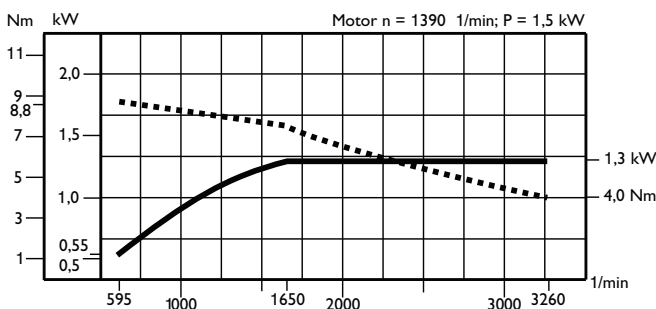
Spring pulley **F 100 b**



Centre distance/mm	A =	146	158	168	184	210	235	246	260	285	310	336
Belt inside length/mm	Li =	525	550	568	600	650	700	725	750	800	850	900
Belt actual length/mm	Lw =	558	583	601	633	683	733	758	783	833	883	933

Power,
Speeds,
Torque.

For intermittent loading observe usual load factor. If motor speeds vary then output speeds change proportionally.



Technical details may be subject to alterations!

BERGES ... everything under control.

