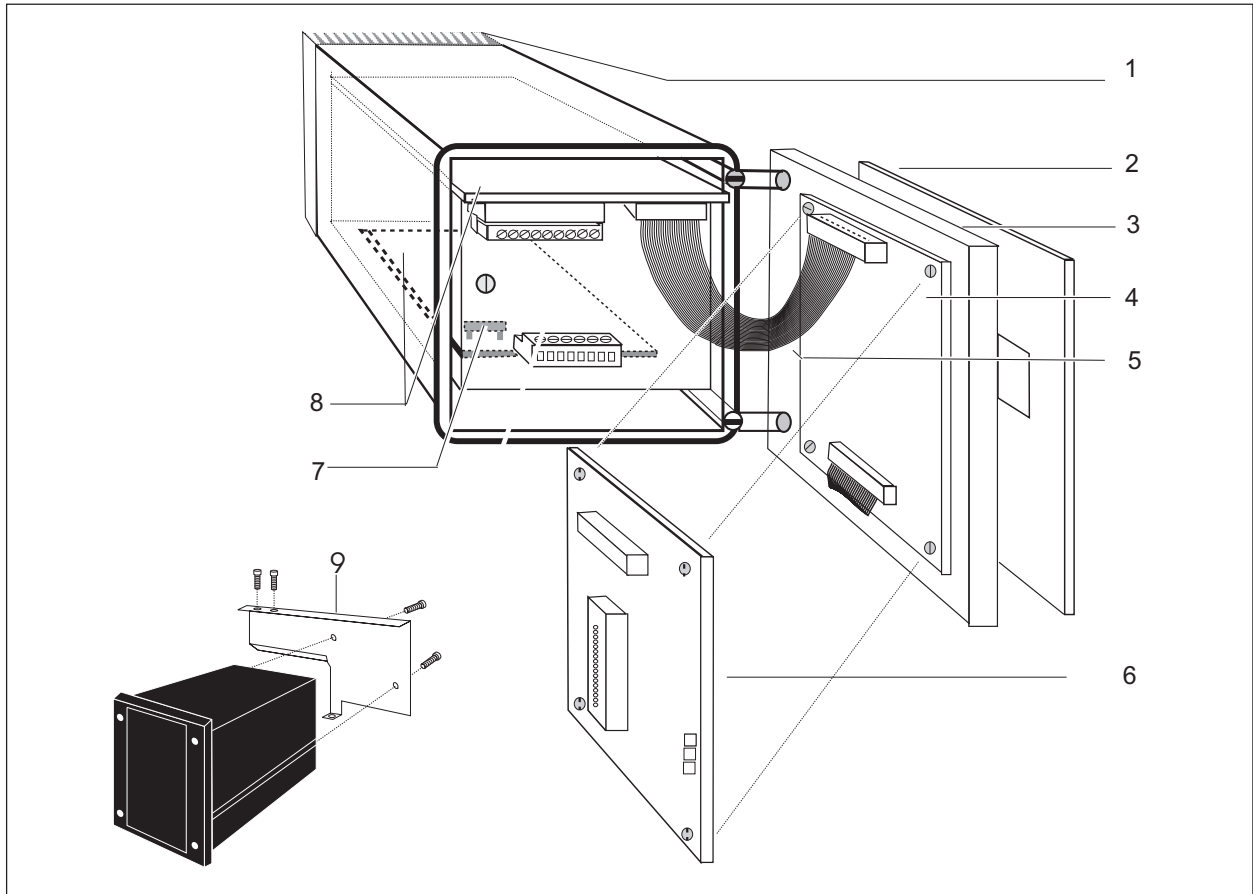


Ersatzteilliste Digi-Drive

Spare part list Digi-Drive



Pos.	Artikel	Part	Artikelnr. / Part no.
-	Digi-Drive 6A/2PH (800W) kompl.	Digi-Drive 6A/2PH (800W) compl.	2401-30032
-	Digi-Drive 6A/1PH (800W) kompl.	Digi-Drive 6A/1PH (800W) compl.	2403-60811
-	Digi-Drive 12A/1PH (1600W) kompl.	Digi-Drive 12A/1PH (1600W) compl.	2403-60813
-	Digi-Drive 6A/1PH (800W) kompl. inkl. Option Board	Digi-Drive 6A/1PH (800W) compl. inkl. Option Board	2401-30036
-	Digi-Drive 12A/1PH (1600W) kompl. inkl. Option Board	Digi-Drive 12A/1PH (1600W)compl. inkl. Option Board	2401-30040
1	Kühlkörper 800 W	Heat sink 800 W	9564-60023
	Kühlkörper 1600 W	Heat sink 1600 W	9564-60042
2	Frontastatur	Keypad	9466-60006
3	Frontplatte	Front plate	2403-60020
4	Control Board	Control Board	9191-60249
5	Flachbandkabel	Flat ribbon cable	9853-00002
6	Option Board	Option Board	9191-60237
7	Sicherung 16A	Fuse 16A	9289-40022
	Sicherung 10A	Fuse 10A	9289-40026
	230VAC	230VAC	
8	Leistungsteil 6A/1Ph	Power Board 6A/1Ph	9191-60811
	Leistungsteil 12A/1Ph	Power Board 12A/1Ph	9191-60813
	Leistungsteil 6A/2Ph	Power Board 6A/2Ph	9191-30765
	Leistungsteil 12A/2Ph	Power Board 12A/2Ph	9191-30767
	Haltewinkel SR Set = 2 Stk.	Mounting support SR Set = 2 pcs	9532-60015
9	Universalhalter K2M	Bracket for DigiDrive	9512-90995