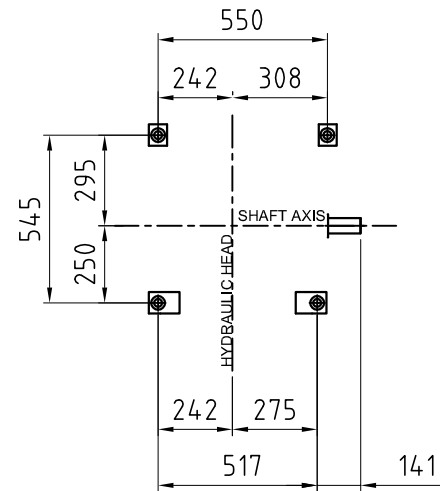
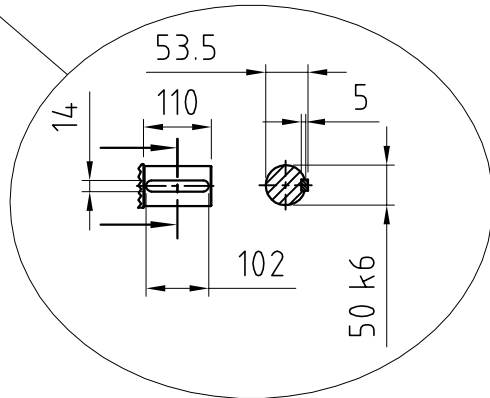
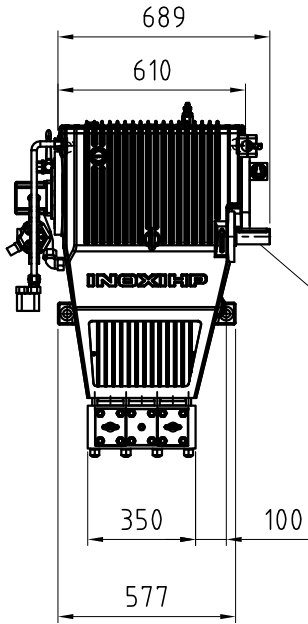
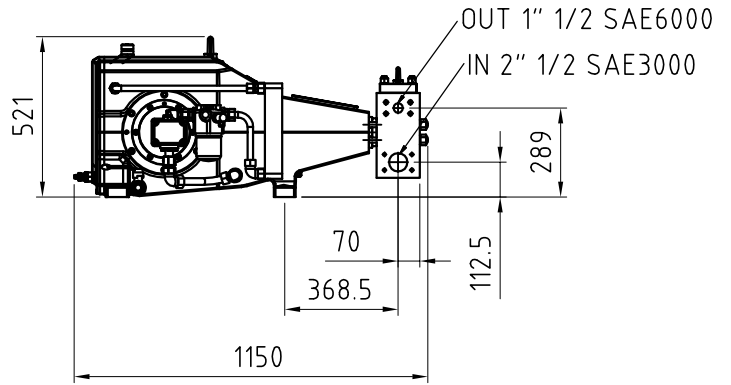
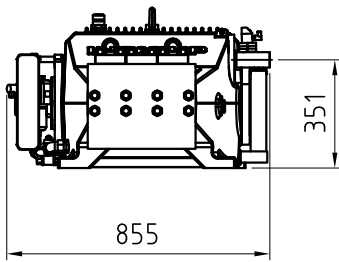




PUMP PF 190 _____ 3A

DS045



Dimensions in mm
Weight:
kg 660

LUBRICATION 3A

N.B.
DIMENSIONS ARE REFERRED TO HYDRAULIC HEAD T35

LUBRICATION COMPONENTS TYPE 4A

- Gear pump
- Oil minimum level switch [LSL]
- Oil level gauge
- Oil min./max. temperature switch [TSL - TSH]
- Lubrication filter with by-pass
- Filter clogging indicator switch [PSDH]
- Heat exchanger

GENERAL CHARACTERISTICS

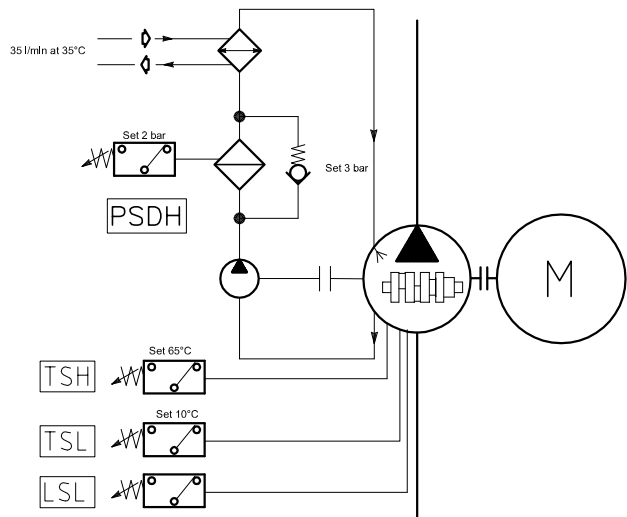
- Body painting RAL 5015

ACCESSORIES

- Valve lifter or by-pass valve with pneumatic solenoid control
- High pressure check valve on delivery
- Safety valve
- High or low pressure gauge

DOCUMENTATION AND CERTIFICATES

- User and maintenance manual
- Data and technical characteristics table
- Mechanical end test and lubrication circuit report
- Hydraulic head pressure test report
- Warranty certificate



REVISIONE	2	DATA	03/08/2015	FIRMA
EMESSO		UT		
APPROVATO		DIR		